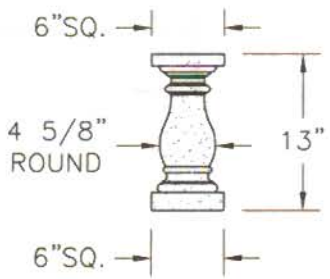
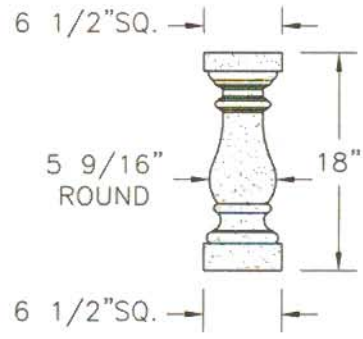


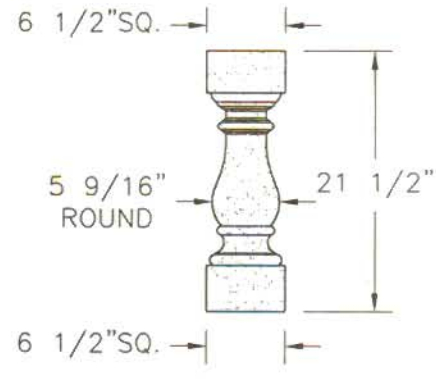
FILE NO.  
**balusters**  
 DATE:  
**11/23/99**  
 SCALE:  
**3/4" = 1'**  
 DRAFTER:  
**J.U.**



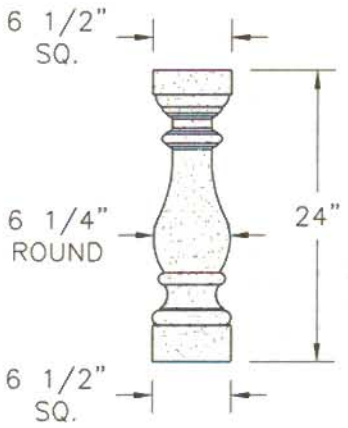
Q-A13BAL



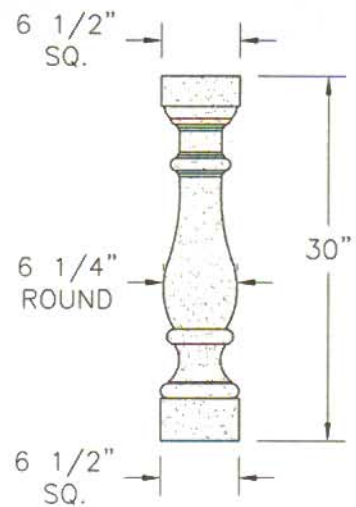
Q-A18BAL



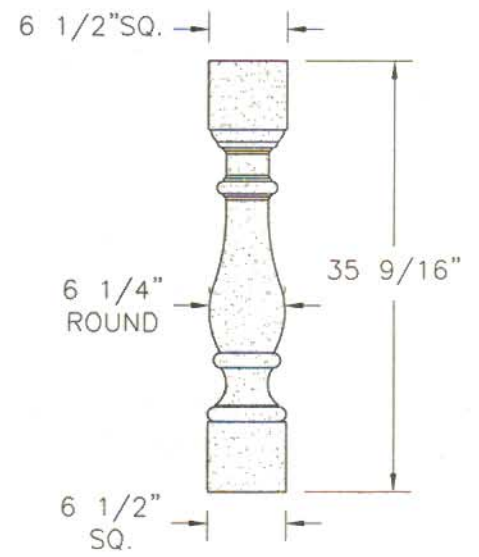
Q-A21SBAL  
 STAIR BALUSTER



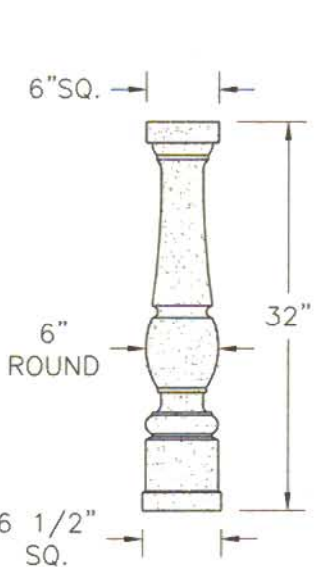
Q-A24BAL



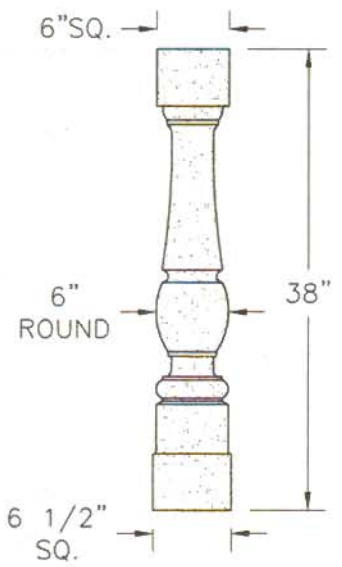
Q-A30BAL



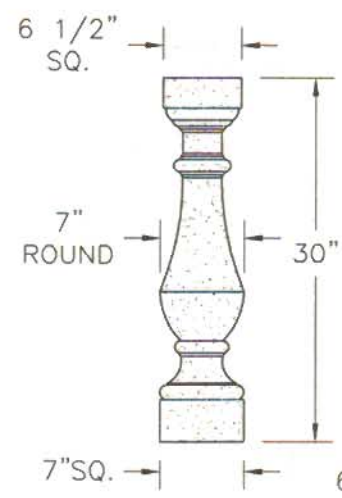
Q-A36SBAL  
 STAIR BALUSTER



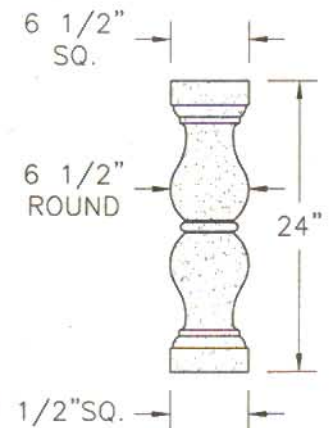
Q-B32BAL



Q-B38SBAL  
 STAIR BALUSTER



Q-C30BAL



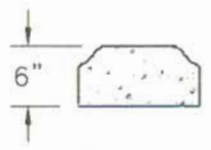
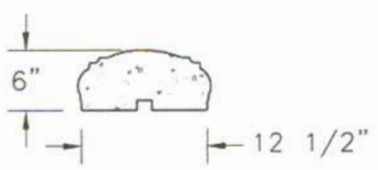
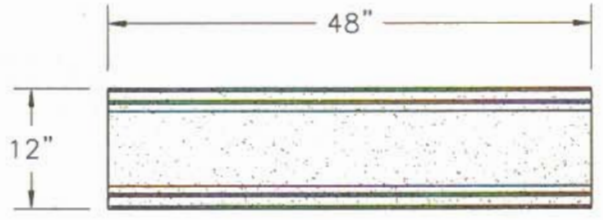
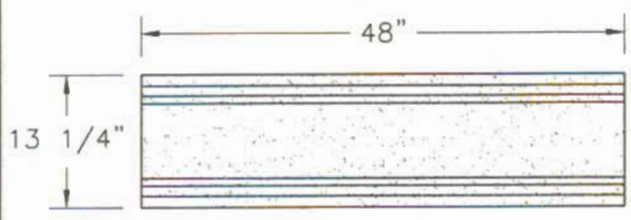
Q-D24BAL

**QUICK CRETE PRODUCTS CORP.**  
 741 W. Parkridge Ave.  
 P.O. Box 639  
 Norco, Ca 91760  
 (909) 737-6240 Fax (909) 737-7032

**CONSTRUCTION PLAN**  
**BALUSTERS**

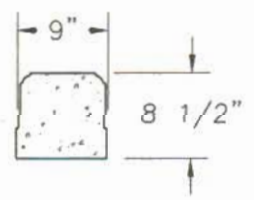
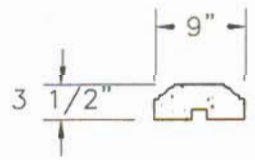
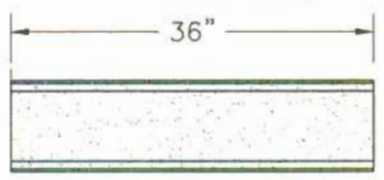
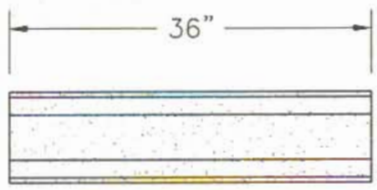


FILE NO.  
 Qcapbass  
 DATE:  
 1/8/00  
 SCALE:  
 5/8" = 1'  
 DRAFTER:  
 J.U.



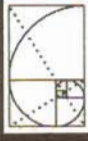
Q-AS-BC  
 CAP "A"

Q-AS-BB  
 BASE "A"



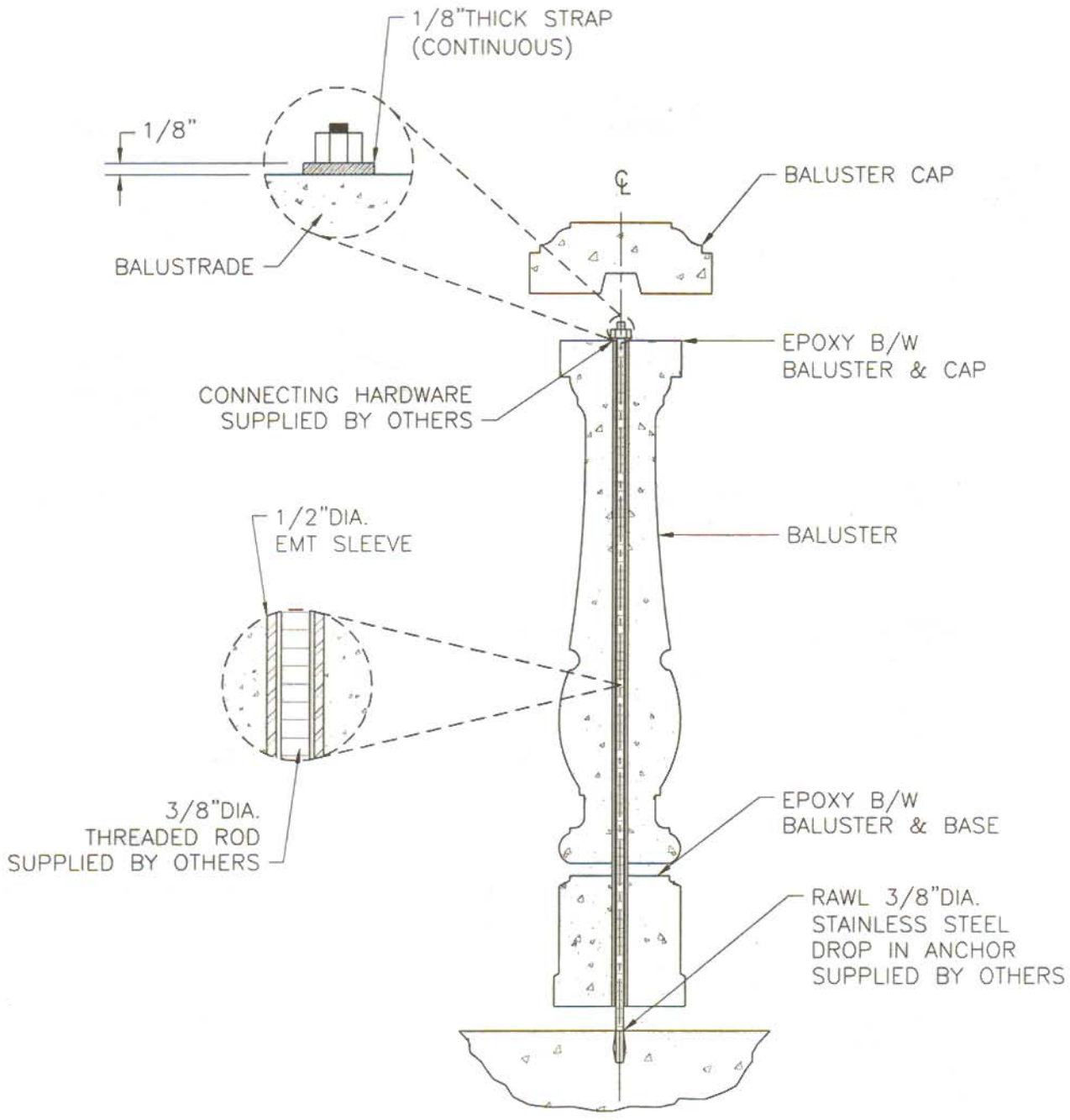
Q-BS-BC  
 CAP "B"

Q-BS-BB  
 BASE "B"



\*HARDWARE & INSTALLATION BY OTHERS.  
 \*SUGGESTED ANCHORING METHOD. PLEASE CONSULT A  
 STRUCTURAL ENGINEER.

FILE NO.	balustsyst
DATE:	1/8/00
SCALE:	1 1/2" = 1'
DRAFTER:	J.U.



 QUICK CRETE PRODUCTS CORP.  
 741 W. Parkridge Ave.  
 P.O. Box 639  
 Norco, Ca 91760  
 (909) 737-6240 Fax (909) 737-7032

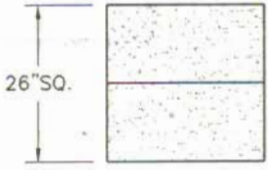
INSTALLATION PLAN  
 BALUSTRADE SYSTEM

SHEET  
 1  
 OF  
 1

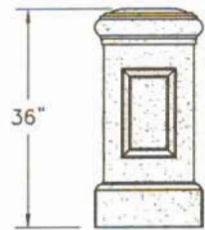
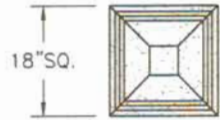
\* NOTE: PANEL DETAILS CAN BE ELIMINATED ON ALL PILASTERS TO RECEIVE BALUSTRADE FLUSH.

\*\* PILASTERS REQUIRE ASSEMBLY

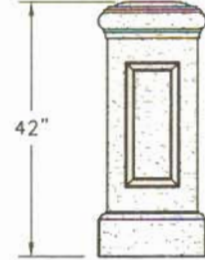
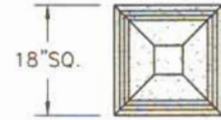
FILE NO.	Qabpilasters
DATE:	12/11/99
SCALE:	3/8" = 1'
DRAFTER:	J.U.



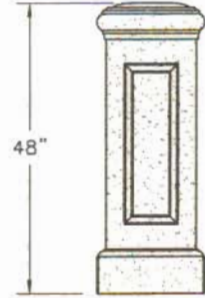
Q-A2652PIL



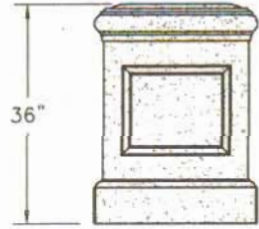
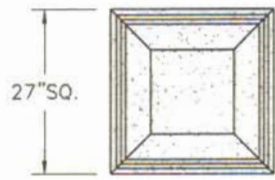
Q-B1836PIL



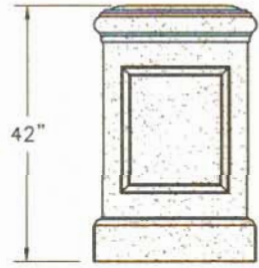
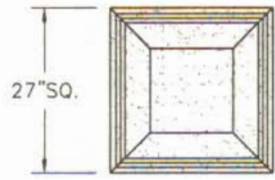
Q-B1842PIL



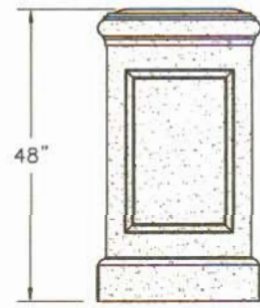
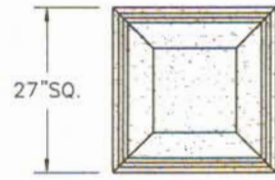
Q-B1848PIL



Q-B2736PIL



Q-B2742PIL



Q-B2748PIL

