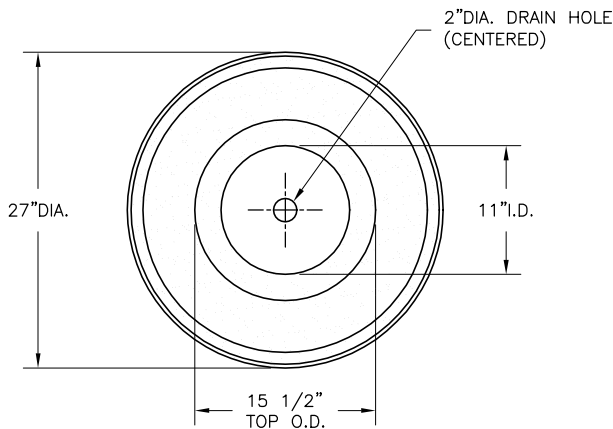


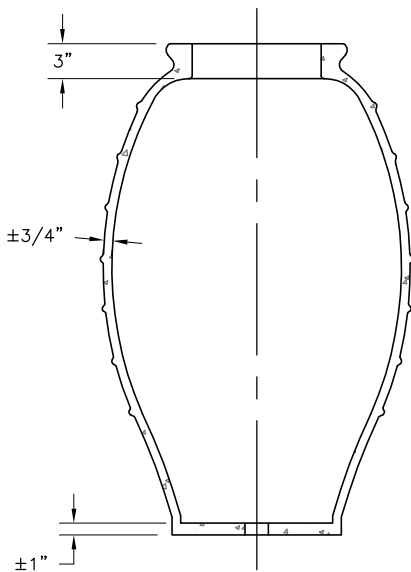
- \* INSTALLATION IS REQUIRED BY OTHERS.
- \* ALL EDGES TO HAVE 1/4" RADIUS MIN.
- \* MANUFACTURING TOLERANCE  $\pm 1/4"$ .
- \* PRODUCT: QR-VC2742P
- \* QUANTITY: \_\_\_\_\_
- \* CONCRETE COLOR: \_\_\_\_\_
- \* CONCRETE TEXTURE: \_\_\_\_\_
- \* SEALER: STANDARD GLOSS SEALER
- \* STD. 2"DIA. DRAIN HOLE
- \* INCLUDE INTERIOR WATER SEALANT
- \* LITE CRETE
- \* STD. COLOR OPTIONS
- \* TEXTURES ONLY AVAILABLE IN: T1-SMOOTH & T9-SANDSTONE

APOX. WT. 222 LBS.  
 (CUSTOMER TO OFFLOAD IF OVER 8000 Lbs.)

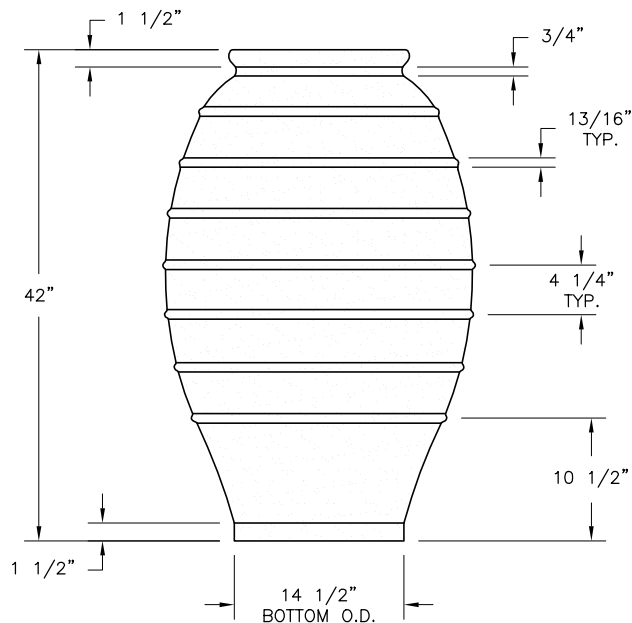
Authorized Signature \_\_\_\_\_ Date \_\_\_\_\_  
 By signing above or stamping this drawing "approved" or "no exception taken" authorization is given to Quick Crete to produce this drawing as shown within a 1/4" tolerance.



PLAN VIEW



SECTION VIEW



ELEVATION VIEW



**QUICK CRETE**  
 PRODUCTS CORP.  
 731 PARKRIDGE AVE.  
 P.O. BOX 639  
 NORCO, CA 92860  
 (951) 737-6240 FAX (951) 737-7032  
 WWW.QUICKCRETE.COM

PLAN TYPE:	CONSTRUCTION PLAN	DATE:	8/28/08	FILE NO.:	VC2742PLC
PRODUCT:	VERA CRUZ PLANTER (QR-VC2742P)	SCALE:	3/4"=1'	DRAWN BY:	J.A.S.
PROJECT NAME:					

SHEET  
**1**  
 OF  
**1**