

- \* INSTALLATION IS REQUIRED BY OTHERS.
- \* ALL EDGES TO HAVE 1/4" RADIUS MIN.
- \* MANUFACTURING TOLERANCE  $\pm 1/4"$ .
- \* PRODUCT: QR-URN3648P
- \* QUANTITY:
- \* CONCRETE COLOR:
- \* CONCRETE TEXTURE:
- \* SEALER: STANDARD GLOSS SEALER
- \* INCLUDES INTERIOR WATER SEALANT
- \* STD. 2"DIA. DRAIN HOLE
- \* STD. COLOR & TEXTURE OPTIONS

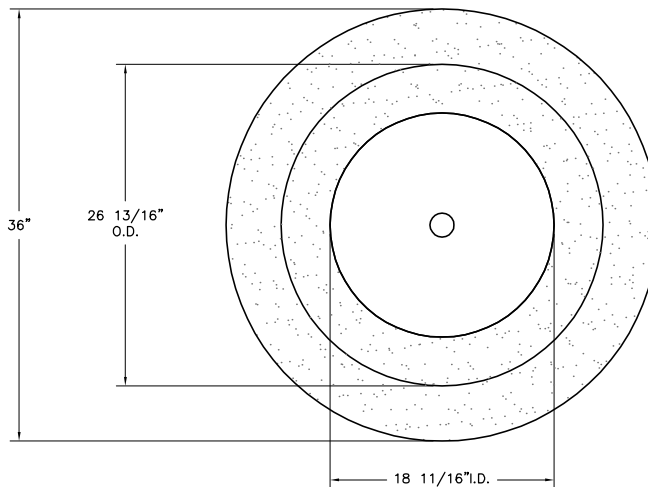
APROX. WT. 2,120 LBS.  
 (CUSTOMER TO OFFLOAD IF OVER 8000 Lbs.)

Authorized Signature                                           Date  
 By signing above or stamping this drawing "approved" or  
 "no exception taken" authorization is given to Quick Crete  
 to produce this drawing as shown within a 1/4" tolerance.

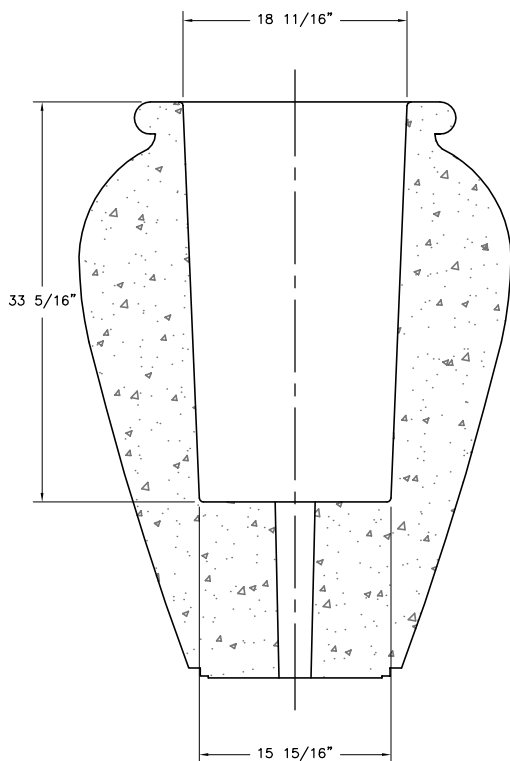
**FINISH:**  
 PLEASE SPECIFY YOUR CHOICE  
 BY CHECKING THE BOX BELOW.

- MEDITERRANEAN       QUARRY  
 VERENDE                 ROMA

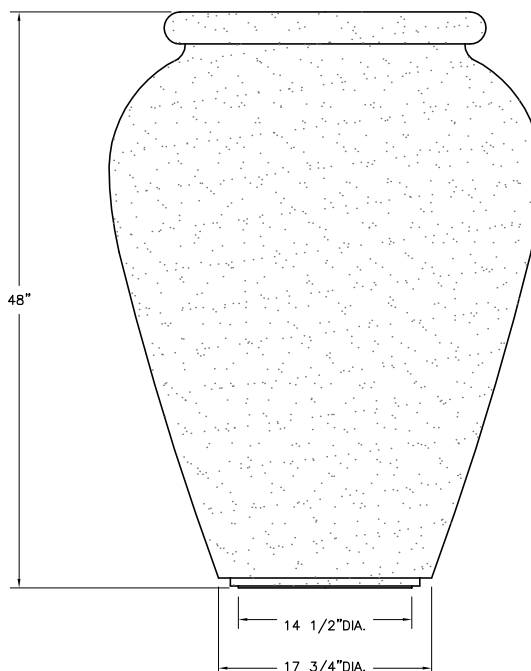
ROMA & VERENDE ARE APPLIED  
 FINISHES AT ADDITIONAL COST.



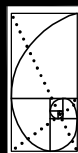
PLAN VIEW



SECTION VIEW



ELEVATION VIEW



**QUICK CRETE**  
**PRODUCTS CORP.**  
 731 PARKRIDGE AVE.  
 P.O. BOX 639  
 NORCO, CA 92860  
 (951) 737-6240 FAX (951) 737-7032  
 WWW.QUICKCRETE.COM

PLAN TYPE:  
 PRODUCT:  
 PROJECT NAME:

CONSTRUCTION PLAN  
 URN PLANTER (QR-URN3648P)

DATE:  
 10/4/05  
 SCALE:  
 3/4" = 1'

FILE NO.  
 QRURN3648P  
 DRAWN BY:  
 M.G.

SHEET  
 1  
 OF  
 1