

- \* INSTALLATION IS REQUIRED BY OTHERS.
- \* ALL EDGES TO HAVE 1/4" RADIUS MIN.
- \* MANUFACTURING TOLERANCE  $\pm 1/4"$ .
- \* PRODUCT: QR-URN2736P
- \* QUANTITY: \_\_\_\_\_
- \* CONCRETE COLOR: \_\_\_\_\_
- \* CONCRETE TEXTURE: \_\_\_\_\_
- \* SEALER: STANDARD GLOSS SEALER
- \* STD. 2"DIA. DRAIN HOLE
- \* INCLUDE INTERIOR WATER SEALANT
- \* STD. COLOR OPTIONS
- \* TEXTURE AVAILABLE IN T1-SMOOTH,  
T2-LSB, OR T7-ACID ETCH

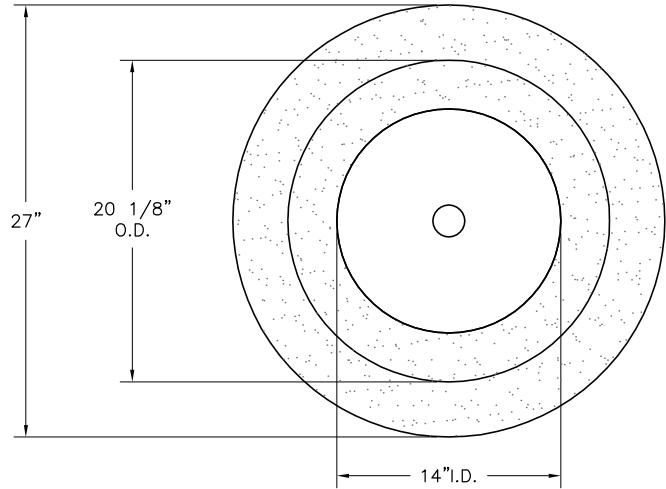
APROX. WT. 894 Lbs.  
(CUSTOMER TO OFFLOAD IF OVER 8000 Lbs.)

Authorized Signature \_\_\_\_\_ Date \_\_\_\_\_  
By signing above or stamping this drawing "approved" or "no exception taken" authorization is given to Quick Crete to produce this drawing as shown within a 1/4" tolerance.

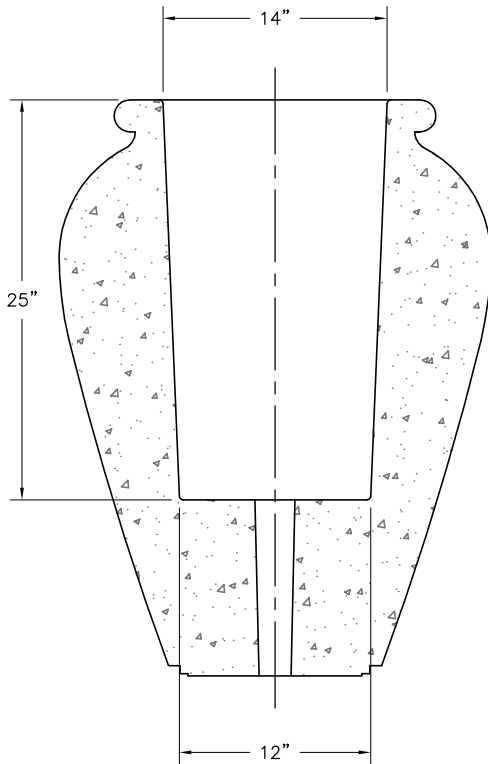
**FINISH:**  
PLEASE SPECIFY YOUR CHOICE  
BY CHECKING THE BOX BELOW.

- MEDITERRANEAN     QUARRY  
 VERENDE             ROMA

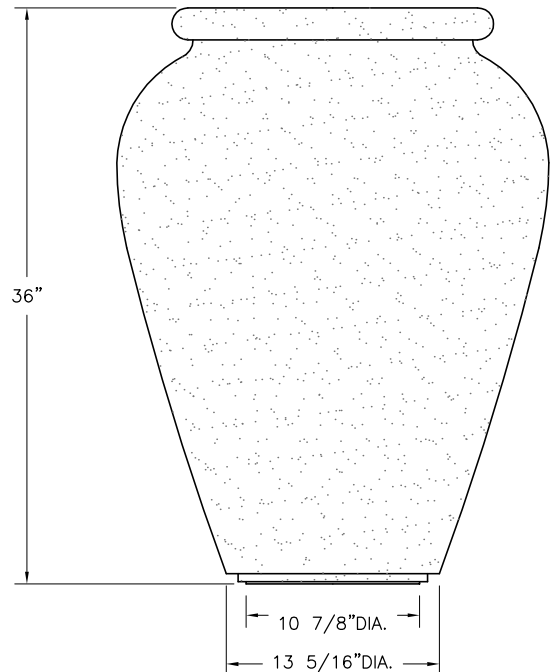
ROMA & VERENDE ARE APPLIED  
FINISHES AT ADDITIONAL COST.



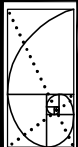
PLAN VIEW



SECTION VIEW



ELEVATION VIEW



**QUICK CRETE**  
PRODUCTS CORP.  
731 PARKRIDGE AVE.  
P.O. BOX 639  
NORCO, CA 92860  
(951) 737-6240 FAX (951) 737-7032  
WWW.QUICKCRETE.COM

PLAN TYPE:	CONSTRUCTION PLAN	DATE:	7/6/00	FILE NO.	URN2736P	SHEET <b>1</b> OF <b>1</b>
PRODUCT:	URN PLANTER (QR-URN2736P)	SCALE:	1" = 1'	DRAWN BY:	J.U.	
PROJECT NAME:						