

- * INSTALLATION IS REQUIRED BY OTHERS.
- * ALL EDGES TO HAVE 1/4" RADIUS MIN.
- * MANUFACTURING TOLERANCE $\pm 1/4$ ".
- * PRODUCT: QR-URN2022P
- * QUANTITY:
- * FINISH: SEE BELOW
- * CONCRETE TEXTURE: T1-SMOOTH
- * SEALER: MATTE
- * STD. 2"DIA. DRAIN HOLE
- * INCLUDE INTERIOR WATER SEALANT

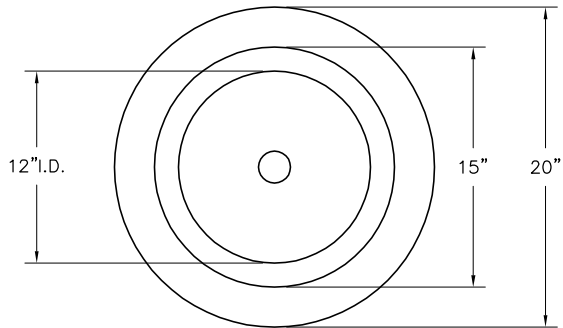
APROX. WT. 320 Lbs.
 (CUSTOMER TO OFFLOAD IF OVER 8000 Lbs.)

Authorized Signature _____ Date _____
 By signing above or stamping this drawing "approved" or
 "no exception taken" authorization is given to Quick Crete
 to produce this drawing as shown within a 1/4" tolerance.

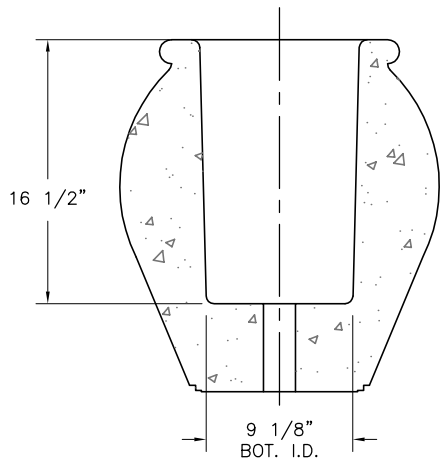
FINISH:
 PLEASE SPECIFY YOUR CHOICE
 BY CHECKING THE BOX BELOW.

- MEDITERRANEAN QUARRY
 VERENDE ROMA

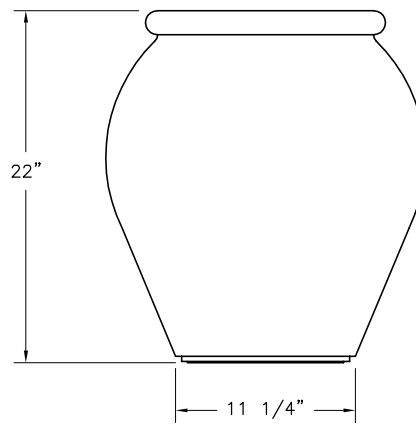
ROMA & VERENDE ARE APPLIED
 FINISHES AT ADDITIONAL COST.



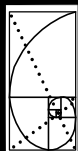
PLAN VIEW



SECTION VIEW



ELEVATION VIEW



QUICK CRETE
PRODUCTS CORP.
731 PARKRIDGE AVE.
P.O. BOX 639
NORCO, CA 92860
(951) 737-6240 FAX (951) 737-7032
WWW.QUICKCRETE.COM

PLAN TYPE:	CONSTRUCTION PLAN	DATE:	3/30/00	FILE NO.	URN2022P	SHEET	1	
PRODUCT:	URN PLANTER (QR-URN2022P)	SCALE:	1" = 1'	DRAWN BY:	J.U.	OF	1	
PROJECT NAME:								