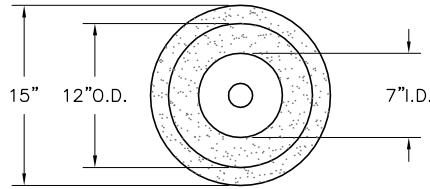


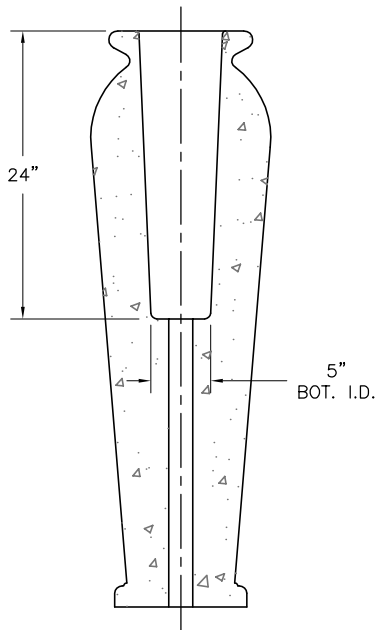
- * INSTALLATION IS REQUIRED BY OTHERS.
- * ALL EDGES TO HAVE 1/4" RADIUS MIN.
- * MANUFACTURING TOLERANCE $\pm 1/4"$.
- * PRODUCT: QR-URN1548P
- * QUANTITY: _____
- * CONCRETE COLOR: _____
- * CONCRETE TEXTURE: _____
- * SEALER: STANDARD GLOSS SEALER
- * STD. 2"DIA. DRAIN HOLE
- * STD. COLOR & TEXTURE OPTIONS

*APPROX. WT: 417 LBS.
 *NOTE: QUICK CRETE RECOMMENDS
 USING ANCHOR BOLTS 1/2"DIA. x
 4 1/2"L. TO ANCHOR PLANTER
 TO A CONCRETE FOOTING

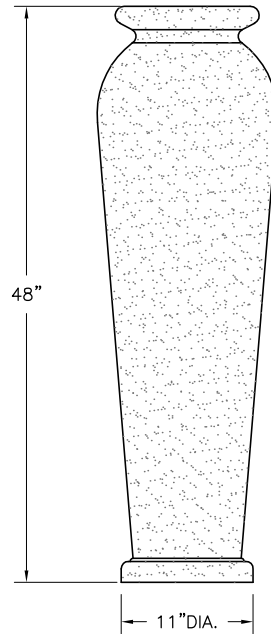
Authorized Signature _____ Date _____
 By signing above or stamping this drawing "approved" or
 "no exception taken" authorization is given to Quick Crete
 to produce this drawing as shown within a 1/4" tolerance.



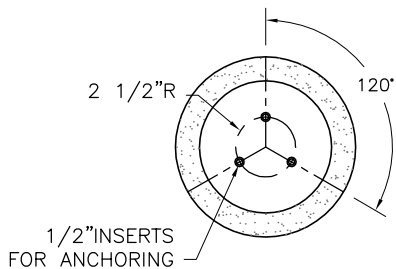
PLAN VIEW



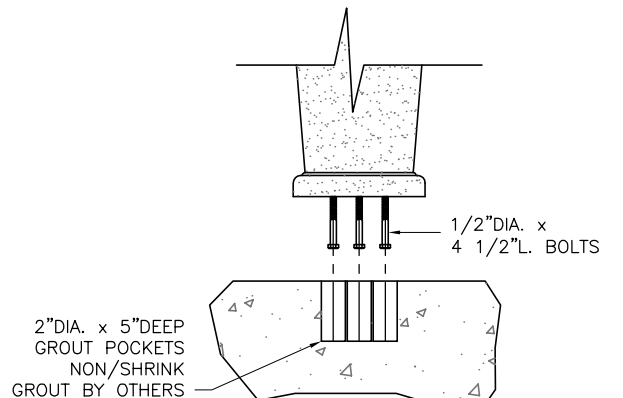
SECTION VIEW



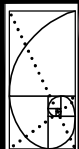
ELEVATION VIEW



BOTTOM VIEW
ANCHOR BOLT PATTERN



DETAIL "A"
INSTALLATION PLAN



QUICK CRETE
 PRODUCTS CORP.
 731 PARKRIDGE AVE.
 P.O. BOX 639
 NORCO, CA 92860
 (951) 737-6240 FAX (951) 737-7032
 WWW.QUICKCRETE.COM

PLAN TYPE:
 PRODUCT:
 PROJECT NAME:

CONSTRUCTION PLAN
 URN PLANTER (QR-URN1548P)

DATE:
 11/17/99
 SCALE:
 3/4" = 1'

FILE NO.
 URN1548P
 DRAWN BY:
 J.U.

SHEET
 1
 OF
 1