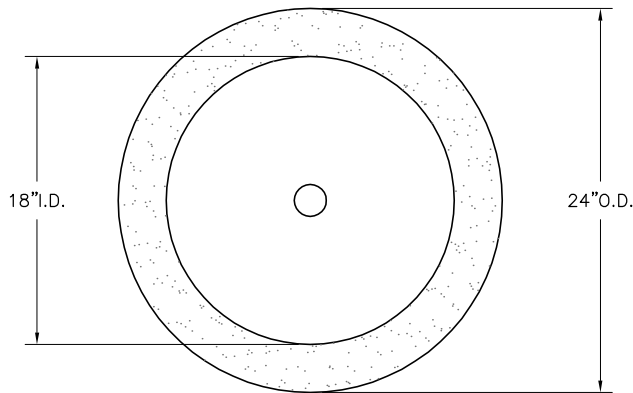


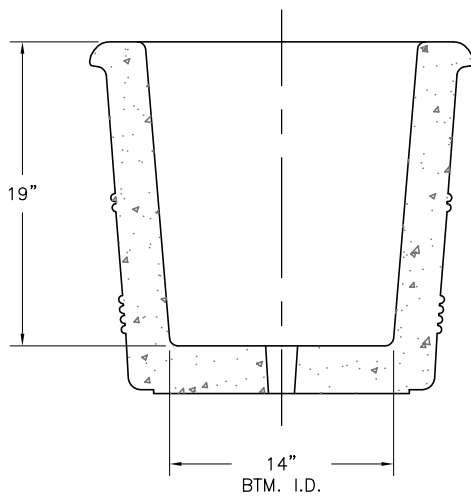
- * INSTALLATION IS REQUIRED BY OTHERS.
- * ALL EDGES TO HAVE 1/4" RADIUS MIN.
- * MANUFACTURING TOLERANCE $\pm 1/4"$.
- * PRODUCT: QR-TN2422P
- * QUANTITY: _____
- * CONCRETE COLOR: _____
- * CONCRETE TEXTURE: _____
- * SEALER: STANDARD GLOSS SEALER
- * STD. 2"DIA. DRAIN HOLE
- * STD COLOR & TEXTURE OPTIONS

Aprox. WT. 340 Lbs.
 (CUSTOMER TO OFFLOAD IF OVER 8000 Lbs.)

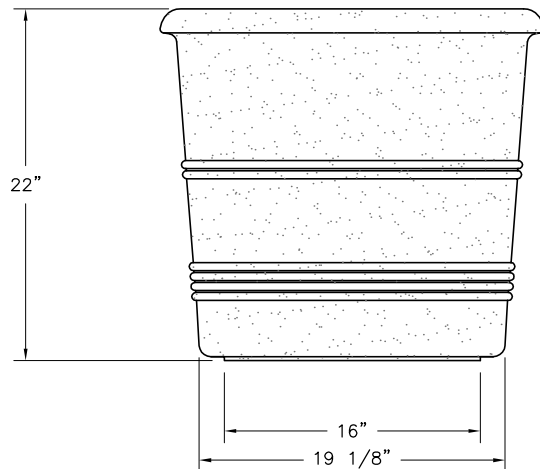
Authorized Signature _____ Date _____
 By signing above or stamping this drawing "approved" or
 "no exception taken" authorization is given to Quick Crete
 to produce this drawing as shown within a 1/4" tolerance.



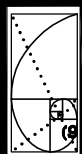
PLAN VIEW



SECTION VIEW



ELEVATION VIEW



QUICK CRETE
PRODUCTS CORP.
731 PARKRIDGE AVE.
P.O. BOX 639
NORCO, CA 92860
(951) 737-6240 FAX (951) 737-7032
WWW.QUICKCRETE.COM

| | | | | | | | |
|---------------|-----------------------------|--------|---------|-----------|---------|-------|---|
| PLAN TYPE: | CONSTRUCTION PLAN | DATE: | 1/26/99 | FILE NO. | TN2422P | SHEET | 1 |
| PRODUCT: | TUCSON PLANTER (QR-TN2422P) | SCALE: | 1" = 1' | DRAWN BY: | MVR | OF | 1 |
| PROJECT NAME: | | | | | | | |