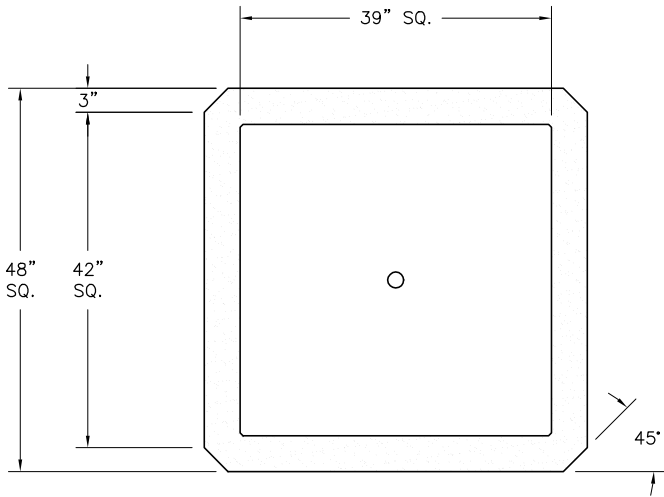


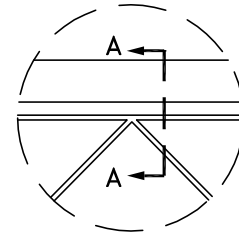
- * INSTALLATION IS REQUIRED BY OTHERS.
- * ALL EDGES TO HAVE 1/4" RADIUS MIN.
- * MANUFACTURING TOLERANCE $\pm 1/4"$.
- * PRODUCT: QS-SP4836P
- * QUANTITY:
- * CONCRETE COLOR:
- * CONCRETE TEXTURE:
- * SEALER: STANDARD GLOSS SEALER
- * 2" DIA. STD. DRAIN HOLE
- * INCLUDE INTERIOR WATER SEALANT
- * STD. COLOR & TEXTURE OPTIONS.

APROX. WT. 1,916 LBS.
(CUSTOMER TO OFFLOAD IF OVER 8000 Lbs.)

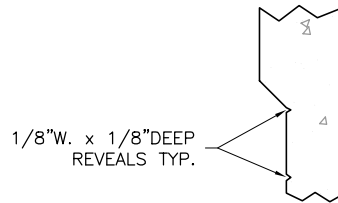
Authorized Signature _____ Date _____
By signing above or stamping this drawing "approved" or "no exception taken" authorization is given to Quick Crete to produce this drawing as shown within a 1/4" tolerance.



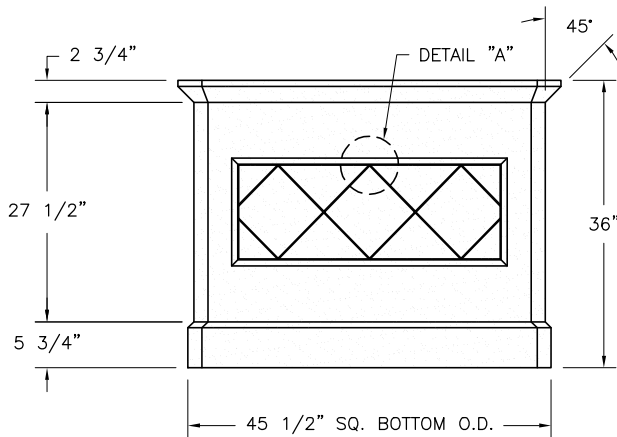
PLAN VIEW



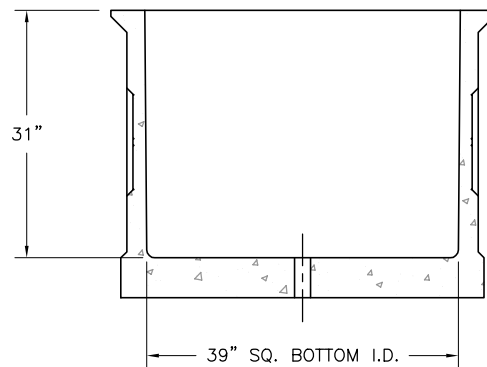
DETAIL "A" (N.T.S.)



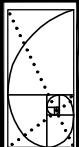
SECTION "A" (N.T.S.)



ELEVATION VIEW



SECTION VIEW



QUICK CRETE
PRODUCTS CORP.
731 PARKRIDGE AVE.
P.O. Box 639
NORCO, CA 92860
(951) 737-6240 FAX (951) 737-7032
WWW.QUICKCRETE.COM

PLAN TYPE:	CONSTRUCTION PLAN	DATE:	10/29/08	FILE NO.:	SP4836	SHEET	1
PRODUCT:	SPRINGFIELD PLANTER (QS-SP4836P)	SCALE:	1/2" = 1'	DRAWN BY:	J.A.S.	OF	1
PROJECT NAME:							