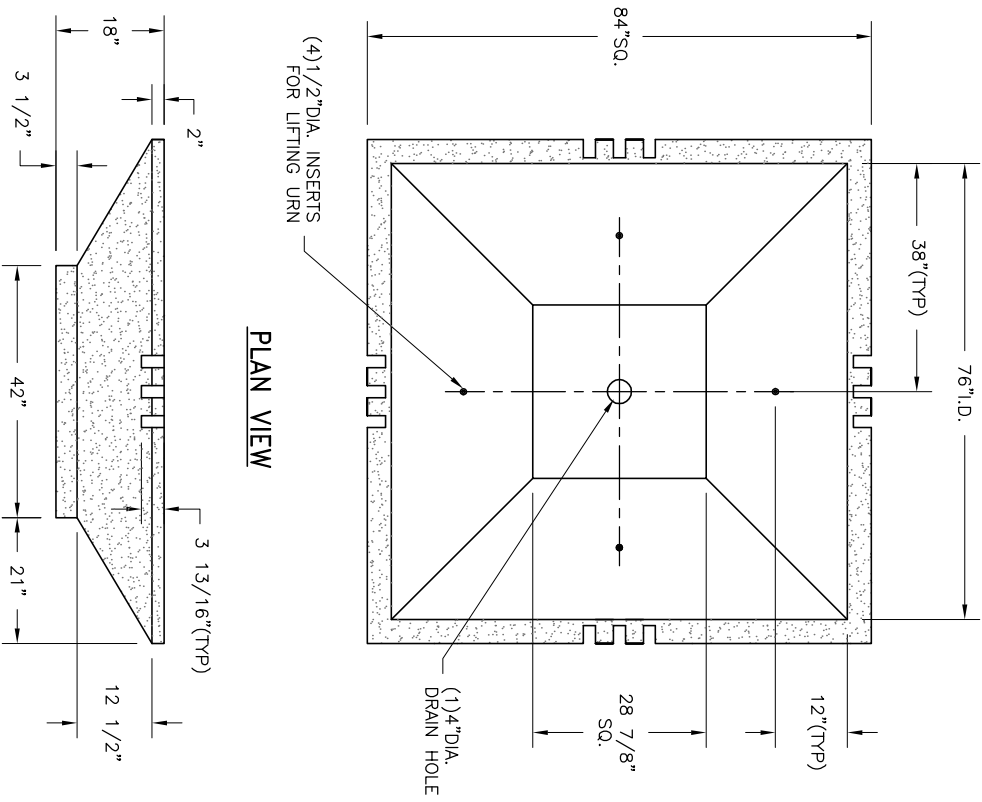


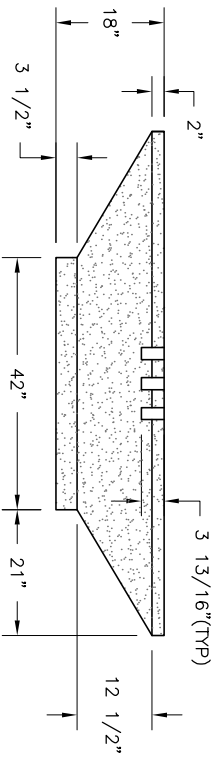
- * INSTALLATION IS REQUIRED BY OTHERS.
- * ALL EDGES TO HAVE 1/4" RADIUS MIN.
- * MANUFACTURING TOLERANCE ±1/4".
- * PRODUCT: QS-RN8418P
- * QUANTITY: _____
- * CONCRETE COLOR: _____
- * CONCRETE TEXTURE: _____
- * SEALER: STANDARD GLOSS SEALER
- * STD. COLOR & TEXTURE OPTIONS
- * INCLUDE ANCHOR BOLTS

APPROX. WT. 1,920 LBS.
(CUSTOMER TO OFFLOAD IF OVER 800 LBS.)

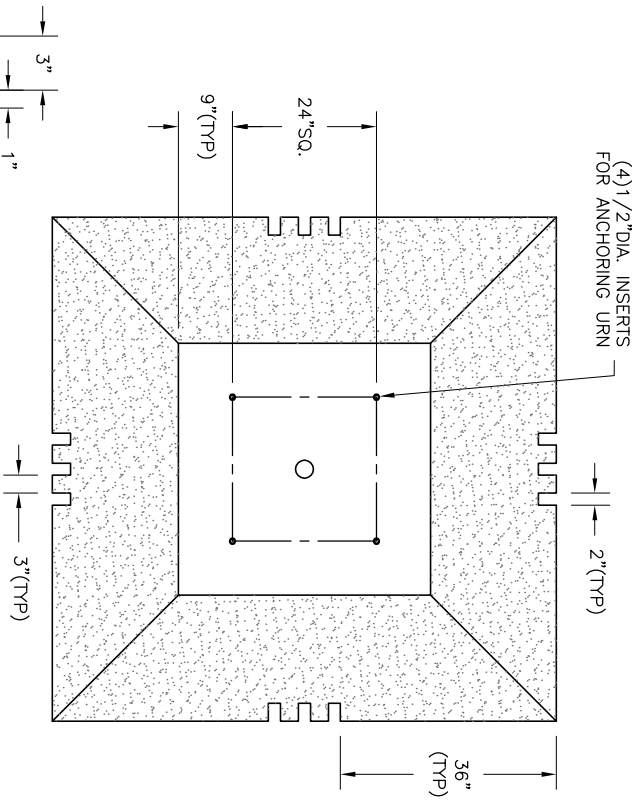
Authorized Signature _____ **Date** _____
By signing above or stamping this drawing "approved" or "no exception taken" authorization is given to Quick Crete to produce this drawing as shown within a 1/4" tolerance.



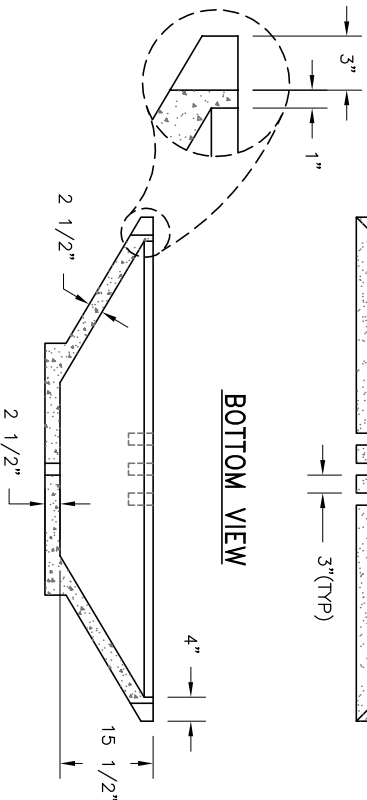
PLAN VIEW



ELEVATION VIEW



BOTTOM VIEW



SECTION VIEW

HARDWARE LIST	
QTY	TYPE
2	1/2" DIA. x 4 1/2" L. BOLT



QUICK CRETE
PRODUCTS CORP.
731 PARKRIDGE AVE.
P.O. BOX 639
NORCO, CA 92860
(951) 737-6240 FAX (951) 737-7032
WWW.QUICKCRETE.COM

PLAN TYPE:	CONSTRUCTION PLAN
PRODUCT:	ROCKLIN PLANTER (QS-RN8418P)
PROJECT NAME:	

DATE:	12/07/01	FILE NO.:	QSRN8418
SCALE:	3/8" = 1'	DRAWN BY:	J.U.

SHEET	1	OF	1
-------	---	----	---