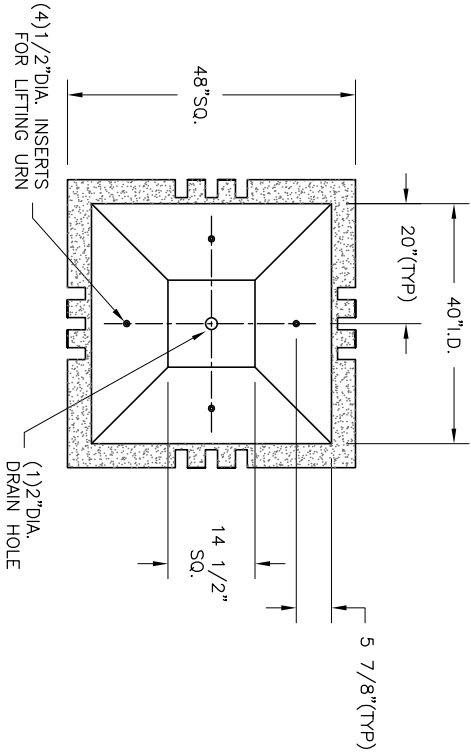


- \* INSTALLATION IS REQUIRED BY OTHERS.
- \* ALL EDGES TO HAVE 1/4" RADIUS MIN.
- \* MANUFACTURING TOLERANCE ±1/4".
- \* PRODUCT: QS-RN4818P
- \* QUANTITY: \_\_\_\_\_
- \* CONCRETE COLOR: \_\_\_\_\_
- \* CONCRETE TEXTURE: \_\_\_\_\_
- \* SEALER: STANDARD GLOSS SEALER
- \* STD. COLOR & TEXTURE OPTIONS
- \* INCLUDE ANCHOR BOLTS
- \* STD. 2" DRAIN HOLE

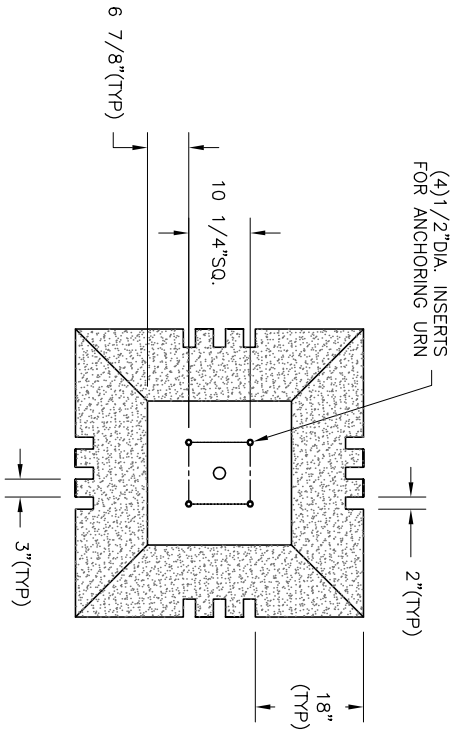
APPROX. WT. 1,571 LBS.  
(CUSTOMER TO OFFLOAD IF OVER 8000 LBS.)

HARDWARE LIST	
QTY	TYPE
2	1/2" DIA. x 4 1/2" L. BOLT

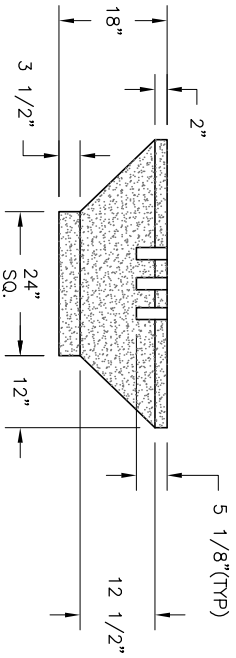
Authorized Signature \_\_\_\_\_ Date \_\_\_\_\_  
By signing above or stamping this drawing "approved" or "no exception taken" authorization is given to Quick Crete to produce this drawing as shown within a 1/4" tolerance.



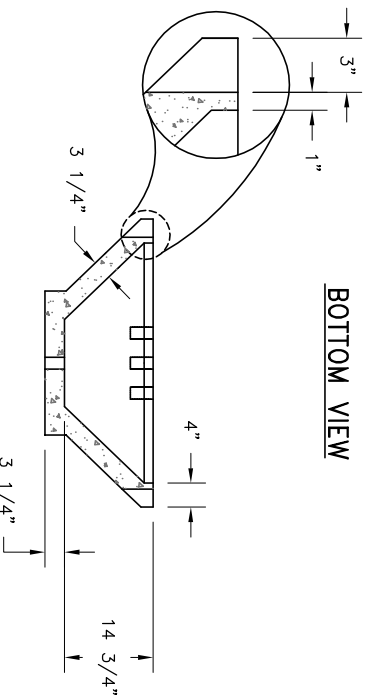
PLAN VIEW



BOTTOM VIEW



ELEVATION VIEW



SECTION VIEW



**QUICK CRETE**  
PRODUCTS CORP.  
731 PARKRIDGE AVE.  
P.O. Box 639  
NORCO, CA 92860  
(951) 737-6240 FAX (951) 737-7032  
WWW.QUICKCRETE.COM

PLAN TYPE:  
PRODUCT:  
PROJECT NAME:

CONSTRUCTION PLAN  
ROCKLIN PLANTER (QS-RN4818P)

DATE: 8/22/03  
SCALE: 3/8" = 1'

FILE NO. QSRN4818P  
DRAWN BY: K.A.T.

SHEET 1 OF 1