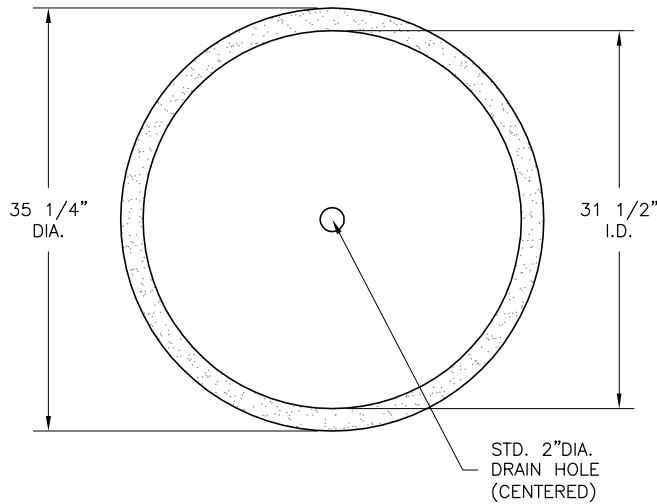


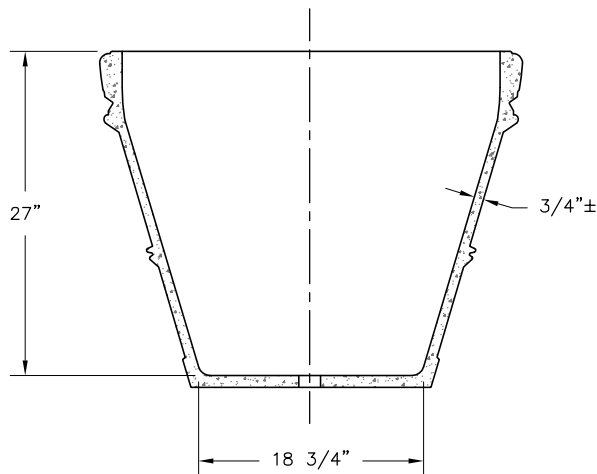
- \* INSTALLATION IS REQUIRED BY OTHERS.
- \* ALL EDGES TO HAVE 1/4" RADIUS MIN.
- \* MANUFACTURING TOLERANCE  $\pm 1/4"$ .
- \* PRODUCT: QR-RIV3528P
- \* QUANTITY: \_\_\_\_\_
- \* CONCRETE COLOR: \_\_\_\_\_
- \* CONCRETE TEXTURE: \_\_\_\_\_
- \* SEALER: STD. GLOSS SEALER
- \* STD. 2"DIA. DRAIN HOLE
- \* INCLUDE INTERIOR WATER SEALANT
- \* LITE CRETE ONLY
- \* STD. COLOR OPTIONS
- \* TEXTURE AVAILABLE IN T1-SMOOTH OR  
T9-SANDSTONE ONLY

APROX. WT. 240 LBS.  
(CUSTOMER TO OFFLOAD IF OVER 8000 Lbs.)

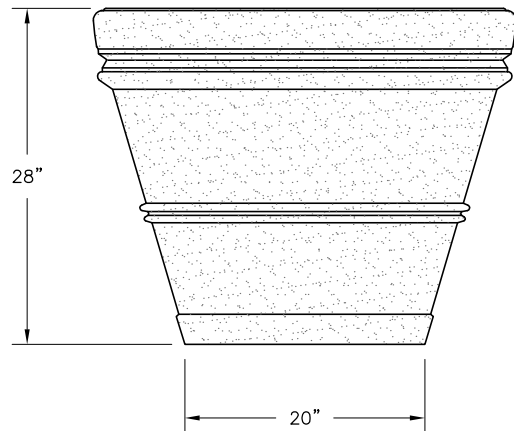
Authorized Signature \_\_\_\_\_ Date \_\_\_\_\_  
By signing above or stamping this drawing "approved" or  
"no exception taken" authorization is given to Quick Crete  
to produce this drawing as shown within a 1/4" tolerance.



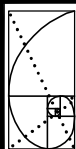
PLAN VIEW



SECTION VIEW



ELEVATION VIEW



**QUICK CRETE**  
PRODUCTS CORP.  
731 PARKRIDGE AVE.  
P.O. BOX 639  
NORCO, CA 92860  
(909) 737-6240 FAX (909) 737-7032  
WWW.QUICKCRETE.COM

PLAN TYPE:  
PRODUCT:  
PROJECT NAME:

CONSTRUCTION PLAN  
RIVIERA PLANTER (QR-RIV3528P)

DATE:  
07/25/07  
SCALE:  
3/4" = 1'

FILE NO.  
QRRIV3528P  
DRAWN BY:  
R.M.

SHEET  
1  
OF  
1