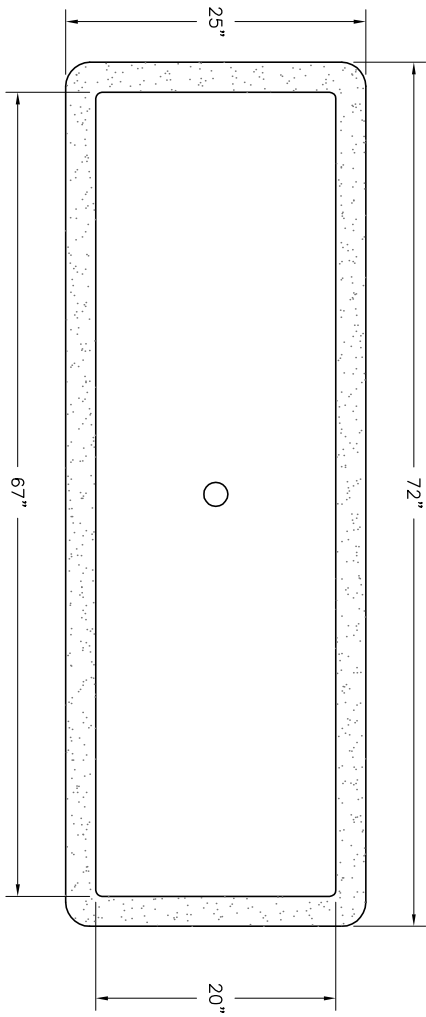
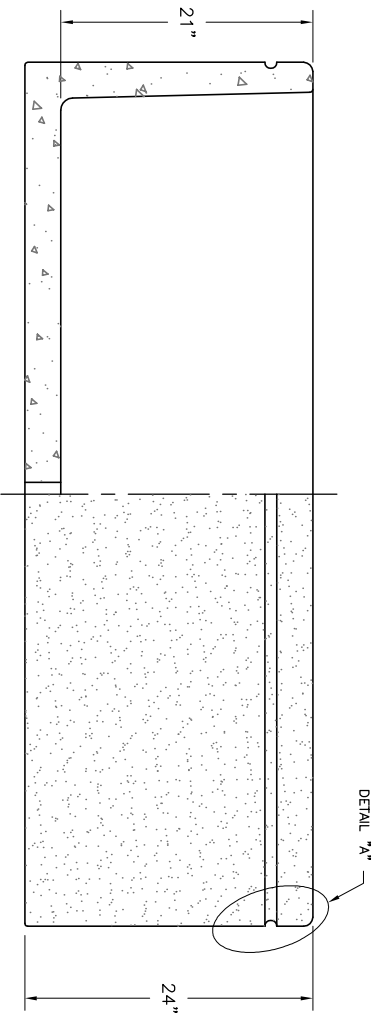


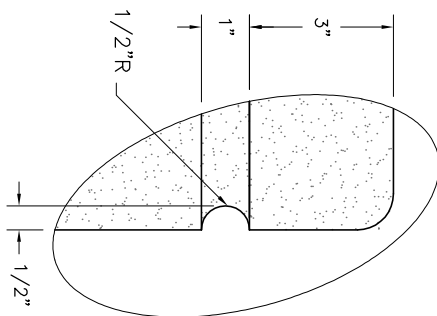
- * INSTALLATION IS REQUIRED BY OTHERS.
- * ALL EDGES TO HAVE 1/4" RADIUS MIN.
- * MANUFACTURING TOLERANCE ±1/4".
- * PRODUCT: QS-PS257224P
- * QUANTITY: _____
- * CONCRETE COLOR: _____
- * CONCRETE TEXTURE: _____
- * SEALER: STANDARD GLOSS SEALER
- * STD. 2"DIA. DRAIN HOLE
- * STD. COLOR & TEXTURE OPTIONS



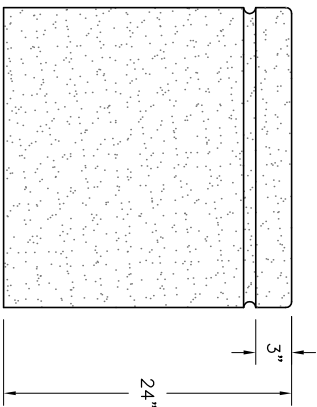
PLAN VIEW



SECTION/ELEVATION VIEW



DETAIL "A"
(N.T.S.)



SIDE VIEW

APPROX. WT. 1,398 Lbs.
(CUSTOMER TO OFFLOAD IF OVER 8000 Lbs.)

Authorized Signature _____ Date _____
By signing above or stamping this drawing "approved" or
no exception taken" authorization is given to Quick Crete
to produce this drawing as shown within a 1/4" tolerance.



QUICK CRETE
PRODUCTS CORP.
731 PARKRIDGE AVE.
P.O. BOX 6399
NORCO, CA 92860
(951) 737-6240 FAX (951) 737-7032
WWW.QUICKCRETE.COM

PLAN TYPE:	CONSTRUCTION PLAN
PRODUCT:	PALM SERIES PLANTER (QS-PS257224P)
PROJECT NAME:	

DATE: 1/15/01
SCALE: 3/4" = 1'

FILE NO. PS257224P
DRAWN BY: J.U.

SHEET 1 OF 1