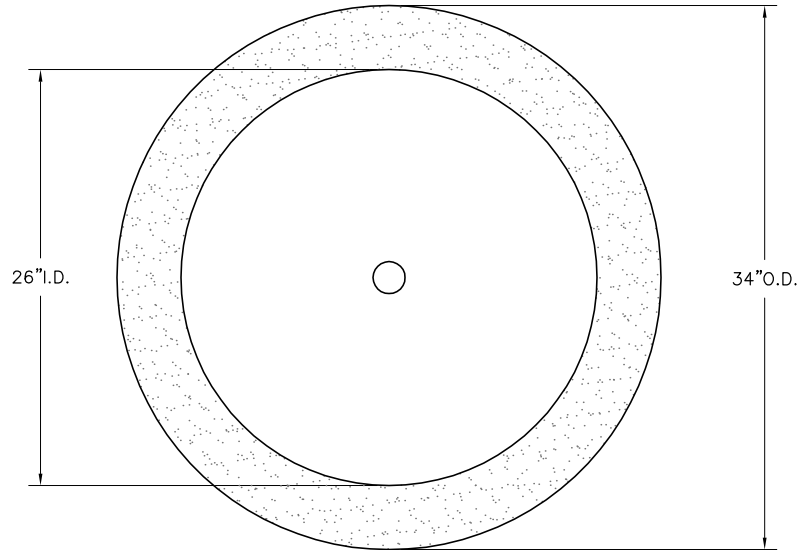


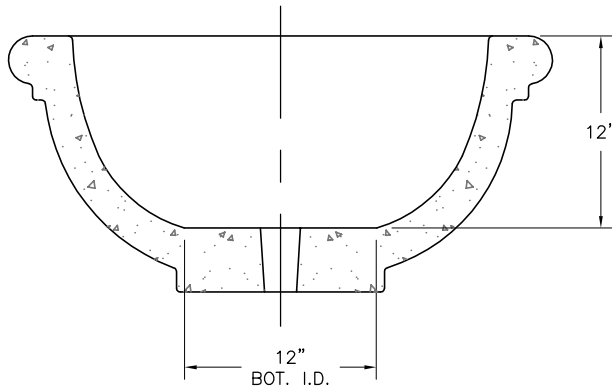
- \* INSTALLATION IS REQUIRED BY OTHERS.
- \* ALL EDGES TO HAVE 1/4" RADIUS MIN.
- \* MANUFACTURING TOLERANCE  $\pm 1/4"$ .
- \* PRODUCT: QR-LP3416P
- \* QUANTITY:
- \* CONCRETE COLOR:
- \* CONCRETE TEXTURE:
- \* SEALER: STANDARD GLOSS SEALER
- \* STD. 2"DIA. DRAIN HOLE
- \* STD COLOR & TEXTURE OPTIONS

\* APPROX. WT. 327 LBS.

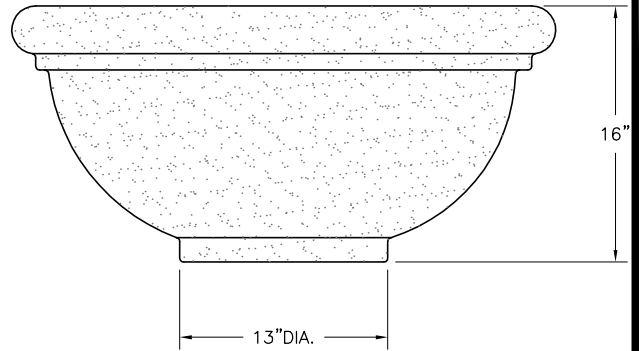
Authorized Signature                      Date  
 By signing above or stamping this drawing "approved" or  
 "no exception taken" authorization is given to Quick Crete  
 to produce this drawing as shown within a 1/4" tolerance.



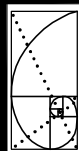
PLAN VIEW



SECTION VIEW



ELEVATION VIEW



**QUICK CRETE**  
 PRODUCTS CORP.  
 731 PARKRIDGE AVE.  
 P.O. BOX 639  
 NORCO, CA 92860  
 (951) 737-6240 FAX (951) 737-7032  
 WWW.QUICKCRETE.COM

PLAN TYPE:	CONSTRUCTION PLAN	DATE:	2/5/99	FILE NO.	LP3416	SHEET <b>1</b> OF <b>1</b>
PRODUCT:	LA PAZ PLANTER (QR-LP3416P)	SCALE:	1" = 1'	DRAWN BY:	J.U.	
PROJECT NAME:						