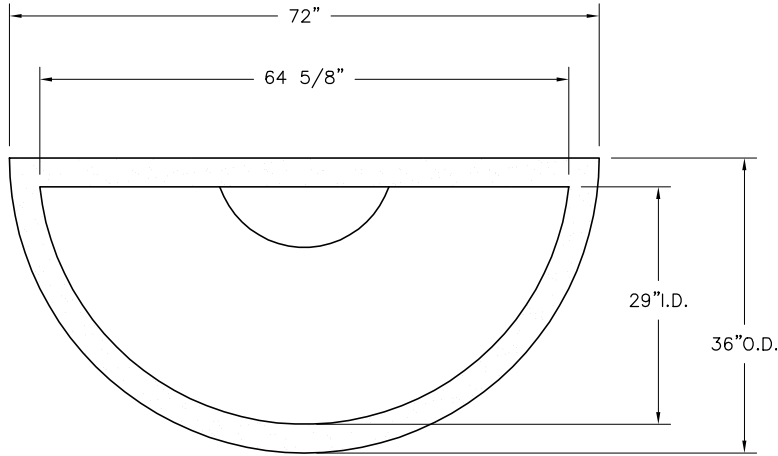


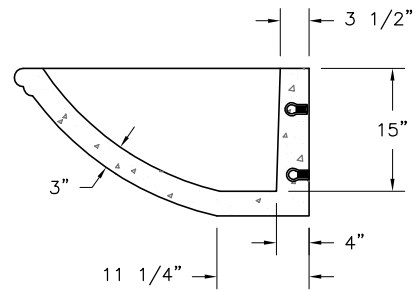
- * INSTALLATION IS REQUIRED BY OTHERS.
- * ALL EDGES TO HAVE 1/4" RADIUS MIN.
- * MANUFACTURING TOLERANCE $\pm 1/4"$.
- * PRODUCT: QR-LJ7218P-HALF PLANTER
- * QUANTITY: _____
- * CONCRETE COLOR: _____
- * CONCRETE TEXTURE: _____
- * SEALER: STANDARD GLOSS SEALER
- * NO DRAIN HOLE
- * STD. COLOR & TEXTURE OPTIONS
- * MUST BE ANCHORED

*APPROX. WT: 761 LBS.

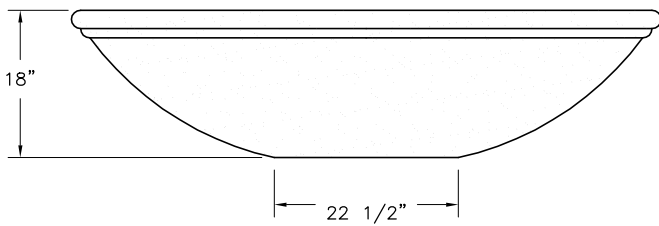
Authorized Signature _____ Date _____
 By signing above or stamping this drawing "approved" or
 "no exception taken" authorization is given to Quick Crete
 to produce this drawing as shown within a 1/4" tolerance.



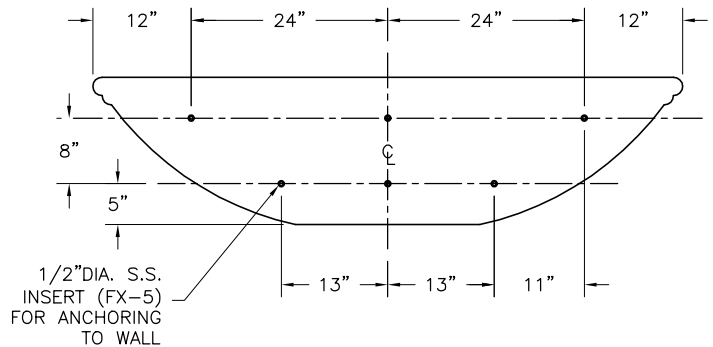
PLAN VIEW



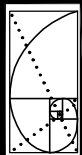
SECTION VIEW



ELEVATION VIEW



REAR ELEVATION VIEW



QUICK CRETE
 PRODUCTS CORP.
 731 PARKRIDGE AVE.
 P.O. BOX 639
 NORCO, CA 92860
 (951) 737-6240 FAX (951) 737-7032
 WWW.QUICKCRETE.COM

PLAN TYPE:	CONSTRUCTION PLAN	DATE:	10/20/99	FILE NO.	LJ7218P	SHEET	1	
PRODUCT:	LA JOLLA PLANTER (QR-LJ7218P-HALF PLANTER)	SCALE:	1/2" = 1'	DRAWN BY:	J.U.	OF	1	
PROJECT NAME:								