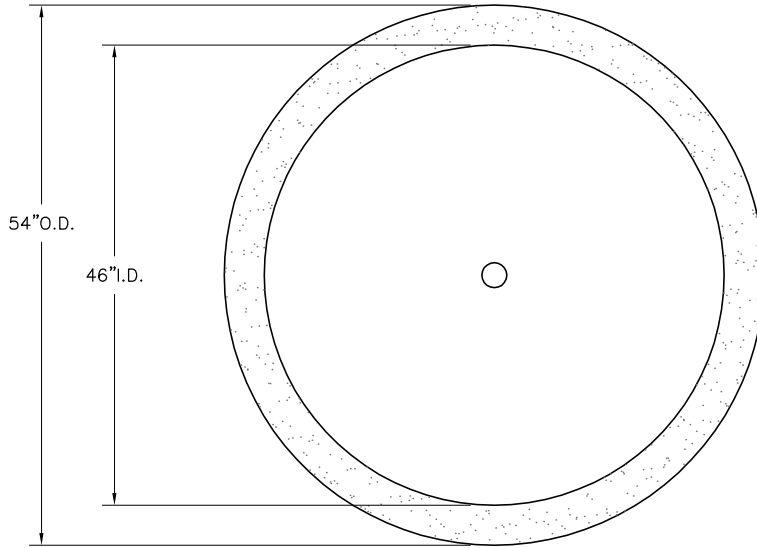


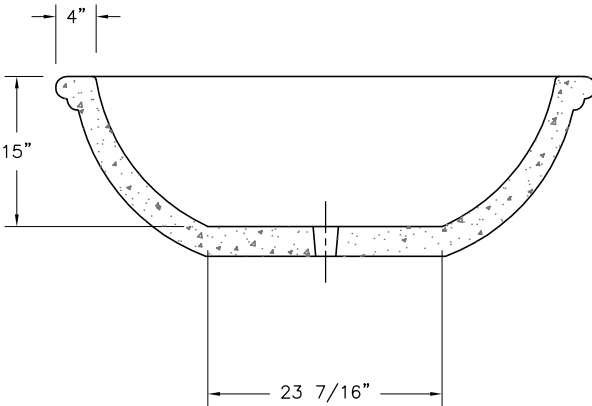
- \* INSTALLATION IS REQUIRED BY OTHERS.
- \* ALL EDGES TO HAVE 1/4" RADIUS MIN.
- \* MANUFACTURING TOLERANCE  $\pm 1/4"$ .
- \* PRODUCT: QR-LJ5418P
- \* QUANTITY: \_\_\_\_\_
- \* CONCRETE COLOR: \_\_\_\_\_
- \* CONCRETE TEXTURE: \_\_\_\_\_
- \* SEALER: STANDARD GLOSS SEALER
- \* STD. 2" DIA. DRAIN HOLE
- \* STD. COLOR & TEXTURE OPTIONS

\*APPROX. WT: 792 LBS.

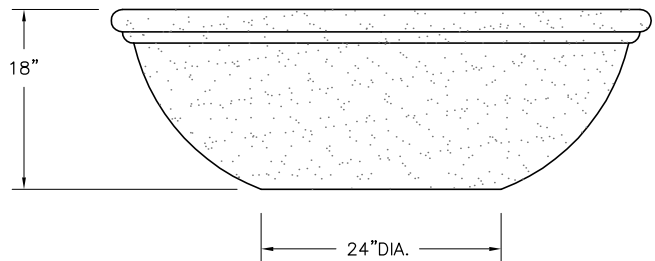
Authorized Signature \_\_\_\_\_ Date \_\_\_\_\_  
 By signing above or stamping this drawing "approved" or  
 "no exception taken" authorization is given to Quick Crete  
 to produce this drawing as shown within a 1/4" tolerance.



PLAN VIEW



SECTION VIEW



ELEVATION VIEW

K:\PLANTERS\ROUND-PLa JollaLJ5418p.dwg, 11/14/2005 10:24:26 AM, 1:19.2, MG, MG



**QUICK CRETE**  
 PRODUCTS CORP.  
 731 PARKRIDGE AVE.  
 P.O. BOX 639  
 NORCO, CA 92860  
 (951) 737-6240 FAX (951) 737-7032  
 WWW.QUICKCRETE.COM

PLAN TYPE:  
 PRODUCT:  
 PROJECT NAME:

CONSTRUCTION PLAN  
 LA JOLLA PLANTER (QR-LJ5418P)

DATE: 12/01/03  
 SCALE: 5/8" = 1'

FILE NO. LJ5424P  
 DRAWN BY: R.M.

SHEET 1 OF 1