

- \* INSTALLATION IS REQUIRED BY OTHERS.
- \* ALL EDGES TO HAVE 1/4" RADIUS MIN.
- \* MANUFACTURING TOLERANCE  $\pm 1/4"$ .
- \* PRODUCT: QR-DBR7648P
- \* QUANTITY:
- \* FINISH:
- \* CONCRETE TEXTURE:
- \* SEALER: MATTE SEALER
- \* STD. 2"DIA. DRAIN HOLE
- \* INCLUDE INTERIOR WATER SEALANT
- \* LITE CRETE

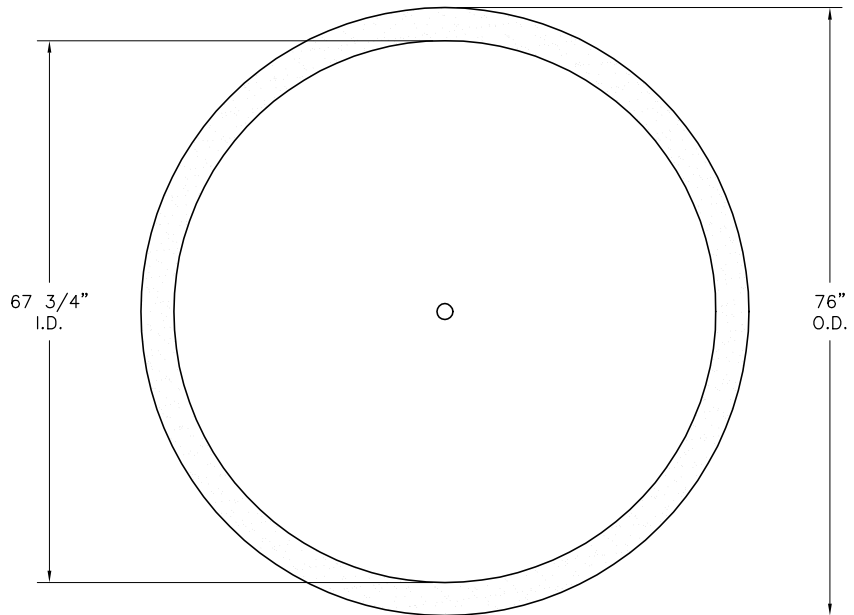
APROX. WT. 1,407 LBS.  
(CUSTOMER TO OFFLOAD IF OVER 8000 Lbs.)

Authorized Signature \_\_\_\_\_ Date \_\_\_\_\_  
By signing above or stamping this drawing "approved" or "no exception taken" authorization is given to Quick Crete to produce this drawing as shown within a 1/4" tolerance.

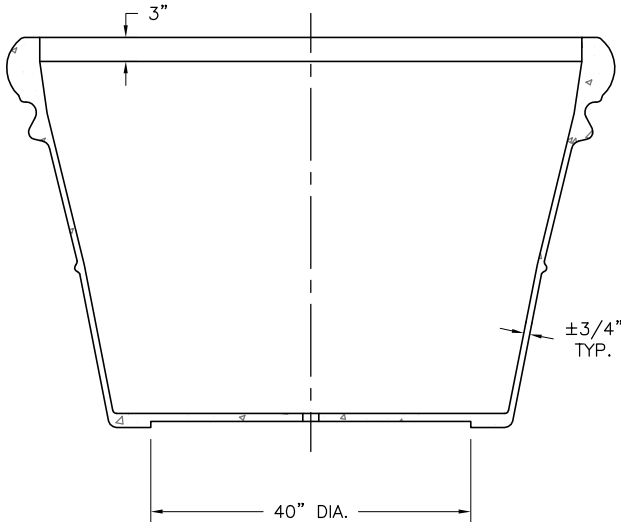
**FINISH:**  
PLEASE SPECIFY YOUR CHOICE  
BY CHECKING THE BOX BELOW.

- MEDITERRANEAN     QUARRY  
 VERENDE             ROMA

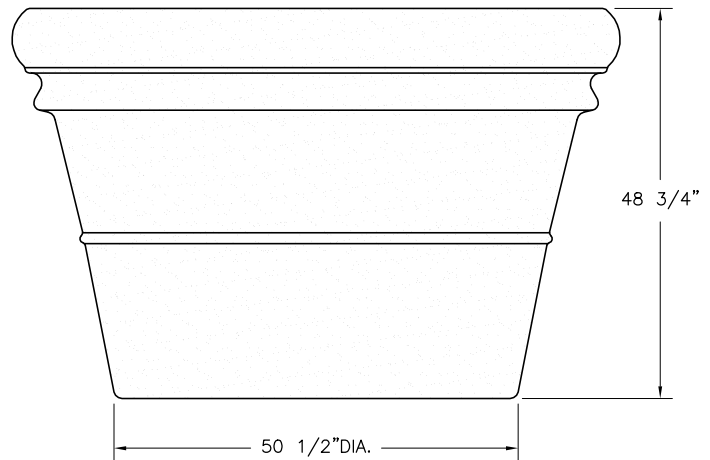
ROMA & VERENDE ARE APPLIED  
FINISHES AT ADDITIONAL COST.



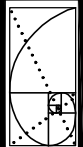
PLAN VIEW



SECTION VIEW



ELEVATION VIEW



**QUICK CRETE**  
PRODUCTS CORP.  
731 PARKRIDGE AVE.  
P.O. Box 539  
NORCO, CA 92860  
(951) 737-6240 FAX (951) 737-7032  
WWW.QUICKCRETE.COM

PLAN TYPE:  
PRODUCT:  
PROJECT NAME:

CONSTRUCTION PLAN  
DOUBLE RIM PLANTER (QR-DBR7648P)

DATE:  
7/28/08  
SCALE:  
1/2" = 1'

FILE NO.  
DBR7648  
DRAWN BY:  
J.A.S.

SHEET  
1  
OF  
1