

- * INSTALLATION IS REQUIRED BY OTHERS.
- * ALL EDGES TO HAVE 1/4" RADIUS MIN.
- * MANUFACTURING TOLERANCE $\pm 1/4"$.
- * PRODUCT: QR-DBR6066P
- * QUANTITY: _____
- * FINISH: _____
- * CONCRETE TEXTURE: T1-SMOOTH
- * SEALER: MATTE
- * STD. 2"DIA. DRAIN HOLE
- * INCLUDE INTERIOR WATER SEALANT
- * LITE CRETE

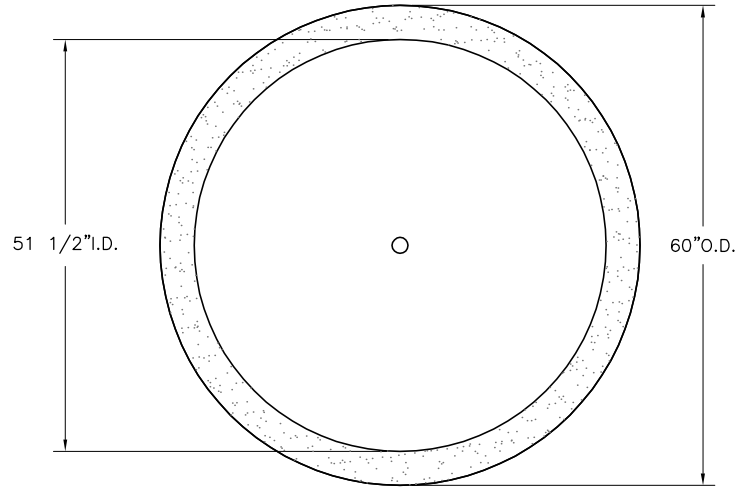
*APPROX. WT: 1,266 LBS.

Authorized Signature _____ Date _____
 By signing above or stamping this drawing "approved" or "no exception taken" authorization is given to Quick Crete to produce this drawing as shown within a 1/4" tolerance.

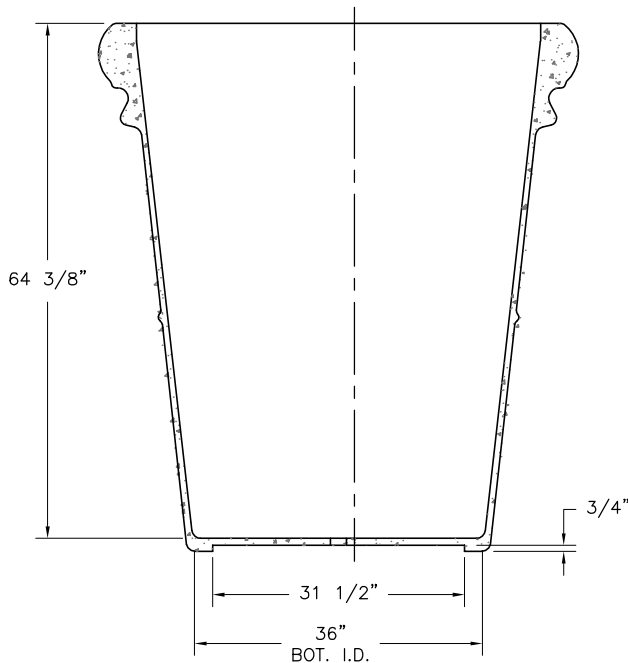
FINISH:
 PLEASE SPECIFY YOUR CHOICE
 BY CHECKING THE BOX BELOW.

- MEDITERRANEAN QUARRY
 VERENDE ROMA

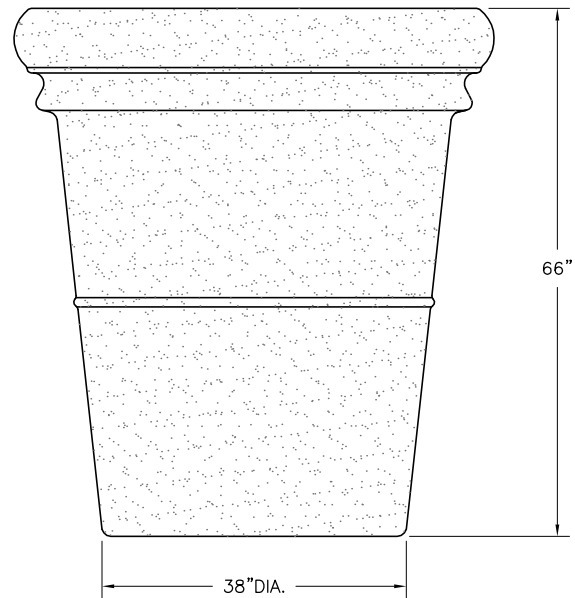
ROMA & VERENDE ARE APPLIED
 FINISHES AT ADDITIONAL COST.



PLAN VIEW

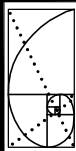


SECTION VIEW



ELEVATION VIEW

K:\PLANTERS\ROUND-P\Double Rim\DBR6066P.DWG, 11/14/2005 9:22:20 AM, 1:24, MG, MG



QUICK CRETE
 PRODUCTS CORP.
 731 PARKRIDGE AVE.
 P.O. BOX 639
 NORCO, CA 92860
 (951) 737-6240 FAX (951) 737-7032
 WWW.QUICKCRETE.COM

PLAN TYPE:	CONSTRUCTION PLAN	DATE:	8/14/00	FILE NO.	Dbr6066	SHEET 1 OF 1
PRODUCT:	DOUBLE RIM PLANTER (QR-DBR6066P)	SCALE:	1/2" = 1'	DRAWN BY:	J.U.	
PROJECT NAME:						