

- \* INSTALLATION IS REQUIRED BY OTHERS.
- \* ALL EDGES TO HAVE 1/4" RADIUS MIN.
- \* MANUFACTURING TOLERANCE  $\pm 1/4"$ .
- \* PRODUCT: QR-DBR6045P
- \* QUANTITY:
- \* FINISH: SEE BELOW
- \* CONCRETE TEXTURE: T1-SMOOTH
- \* SEALER: MATTE
- \* STD. 2"DIA. DRAIN HOLE
- \* INCLUDE INTERIOR WATER SEALANT
- \* LITE CRETE

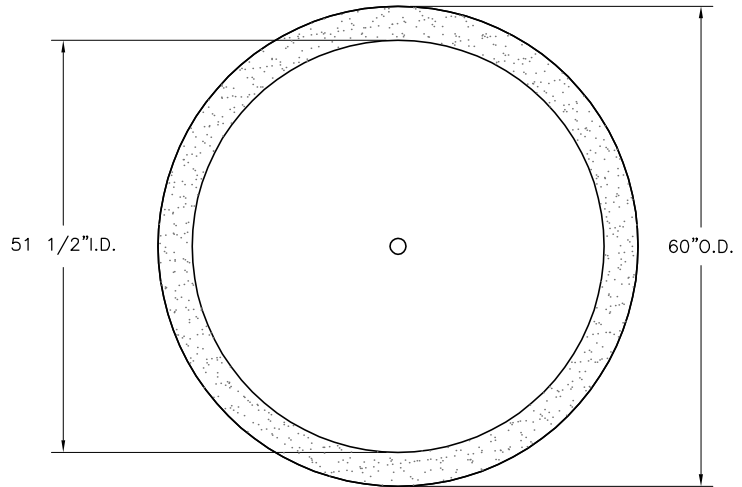
\*APPROX. WT: 1,160 LBS.

Authorized Signature                      Date  
 By signing above or stamping this drawing "approved" or  
 "no exception taken" authorization is given to Quick Crete  
 to produce this drawing as shown within a 1/4" tolerance.

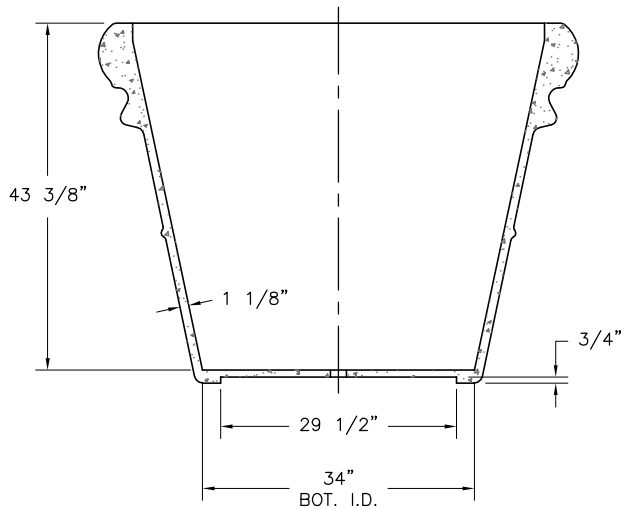
**FINISH:**  
 PLEASE SPECIFY YOUR CHOICE  
 BY CHECKING THE BOX BELOW.

- MEDITERRANEAN     QUARRY  
 VERENDE             ROMA

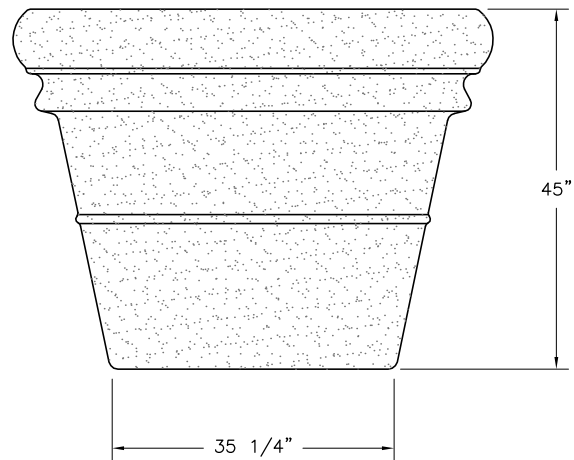
ROMA & VERENDE ARE APPLIED  
 FINISHES AT ADDITIONAL COST.



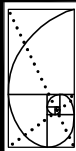
PLAN VIEW



SECTION VIEW



ELEVATION VIEW



**QUICK CRETE**  
 PRODUCTS CORP.  
 731 PARKRIDGE AVE.  
 P.O. BOX 639  
 NORCO, CA 92860  
 (951) 737-6240 FAX (951) 737-7032  
 WWW.QUICKCRETE.COM

PLAN TYPE:  
 PRODUCT:  
 PROJECT NAME:

CONSTRUCTION PLAN  
 DOUBLE RIM PLANTER (QR-DBR6045P)

DATE:  
 11/9/99  
 SCALE:  
 1/2" = 1'

FILE NO.  
 DBR6045P  
 DRAWN BY:  
 J.U.

SHEET  
 1  
 OF  
 1