

- * INSTALLATION IS REQUIRED BY OTHERS.
- * ALL EDGES TO HAVE 1/4" RADIUS MIN.
- * MANUFACTURING TOLERANCE $\pm 1/4"$.
- * PRODUCT: QR-DBR4836P
- * QUANTITY: _____
- * FINISH: SEE BELOW
- * CONCRETE TEXTURE: T1-SMOOTH
- * SEALER: MATTE
- * STD. 2"DIA. DRAIN HOLE
- * INCLUDE INTERIOR WATER SEALANT
- * LITE CRETE

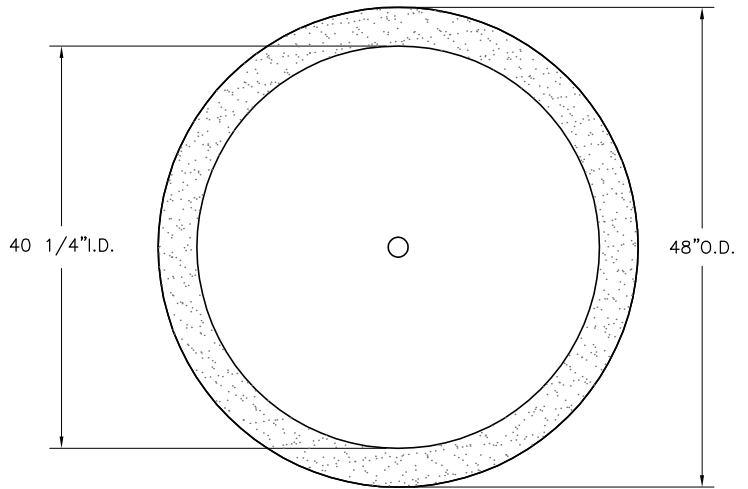
APROX. WT. 611 Lbs.
(CUSTOMER TO OFFLOAD IF OVER 8000 Lbs.)

Authorized Signature _____ Date _____
By signing above or stamping this drawing "approved" or "no exception taken" authorization is given to Quick Crete to produce this drawing as shown within a 1/4" tolerance.

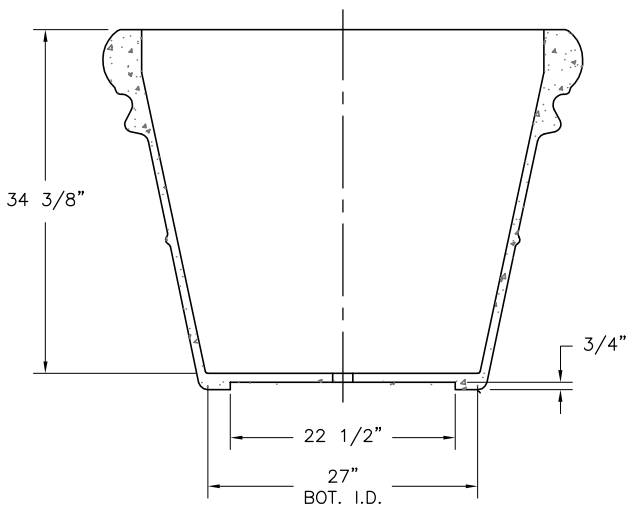
FINISH:
PLEASE SPECIFY YOUR CHOICE
BY CHECKING THE BOX BELOW.

- MEDITERRANEAN QUARRY
 VERENDE ROMA

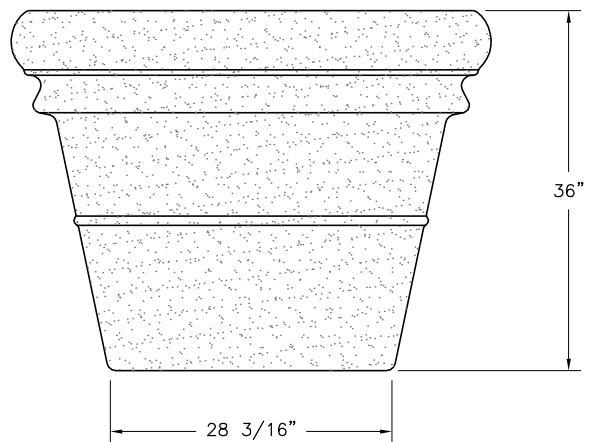
ROMA & VERENDE ARE APPLIED
FINISHES AT ADDITIONAL COST.



PLAN VIEW

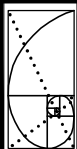


SECTION VIEW



ELEVATION VIEW

K:\PLANTERS\ROUND-P\Double Rim\DBR4836P.DWG, 11/14/2005 9:09:56 AM, 1:19.2, MG, MG



QUICK CRETE
PRODUCTS CORP.
731 PARKRIDGE AVE.
P.O. BOX 639
NORCO, CA 92860
(951) 797-6240 FAX (951) 797-7032
WWW.QUICKCRETE.COM

PLAN TYPE:	CONSTRUCTION PLAN	DATE:	11/9/99	FILE NO.	DBR4836P	SHEET	1	
PRODUCT:	DOUBLE RIM PLANTER (QR-DBR4836)	SCALE:	5/8" = 1'	DRAWN BY:	J.U.	OF	1	
PROJECT NAME:								