

- * INSTALLATION IS REQUIRED BY OTHERS.
- * ALL EDGES TO HAVE 1/4" RADIUS MIN.
- * MANUFACTURING TOLERANCE $\pm 1/4"$.
- * PRODUCT: QR-DBR4231P
- * QUANTITY: _____
- * FINISH: SEE BELOW
- * CONCRETE TEXTURE: T1-SMOOTH
- * SEALER: MATTE
- * STD. 2" DIA. DRAIN HOLE
- * INCLUDE INTERIOR WATER SEALANT
- * LITE CRETE

APROX. WT. 433 Lbs.
(CUSTOMER TO OFFLOAD IF OVER 8000 Lbs.)

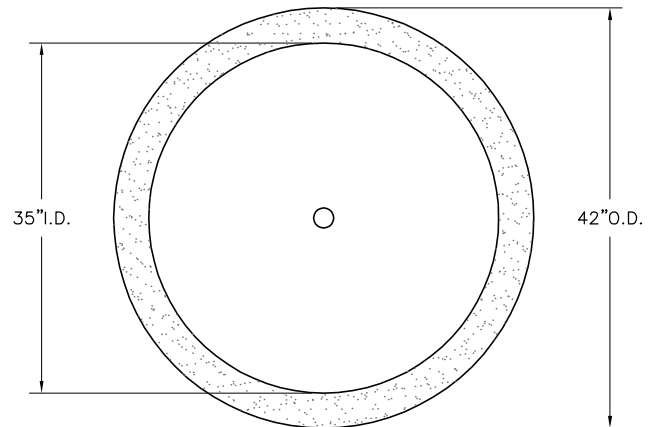
Authorized Signature Date
By signing above or stamping this drawing "approved" or "no exception taken" authorization is given to Quick Crete to produce this drawing as shown within a 1/4" tolerance.

FINISH:

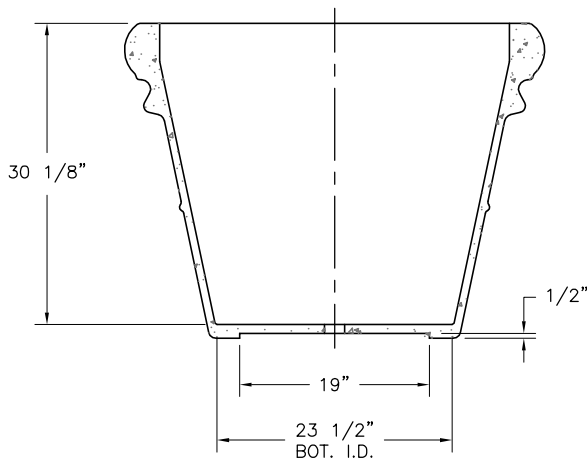
PLEASE SPECIFY YOUR CHOICE BY CHECKING THE BOX BELOW.

- MEDITERRANEAN QUARRY
 VERENDE ROMA

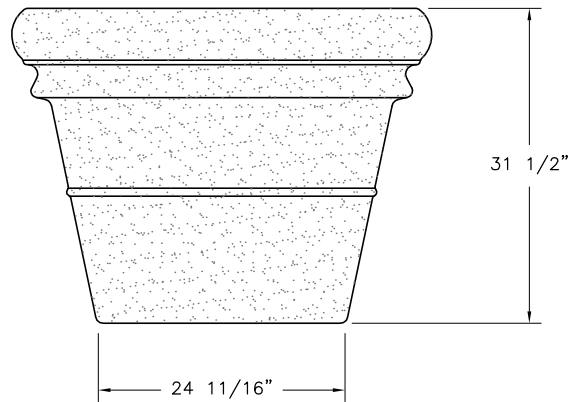
ROMA & VERENDE ARE APPLIED FINISHES AT ADDITIONAL COST.



PLAN VIEW

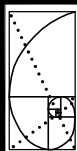


SECTION VIEW



ELEVATION VIEW

K:\PLANTERS\ROUND-P\Double Rim\DBR4231P.DWG, 11/14/2005 9:08:05 AM, 1:19.2, MG, MG



QUICK CRETE
PRODUCTS CORP.
731 PARKRIDGE AVE.
P.O. BOX 639
NORCO, CA 92860
(951) 737-6240 FAX (951) 737-7032
WWW.QUICKCRETE.COM

PLAN TYPE:
PRODUCT:
PROJECT NAME:

CONSTRUCTION PLAN
DOUBLE RIM PLANTER (QR-DBR4231P)

DATE: 11/9/99
SCALE: 5/8" = 1'

FILE NO. DBR4231P
DRAWN BY: J.U.

SHEET 1 OF 1