

- \* INSTALLATION IS REQUIRED BY OTHERS.
- \* ALL EDGES TO HAVE 1/4" RADIUS MIN.
- \* MANUFACTURING TOLERANCE  $\pm 1/4"$ .
- \* PRODUCT: QR-DBR1813P
- \* QUANTITY:
- \* FINISH: SEE BELOW
- \* CONCRETE TEXTURE: T1-SMOOTH
- \* SEALER: MATTE
- \* STD. 1"DIA. DRAIN HOLE
- \* INCLUDE INTERIOR WATER SEALANT
- \* LITE CRETE

\*APPROX. WT: 32 LBS.

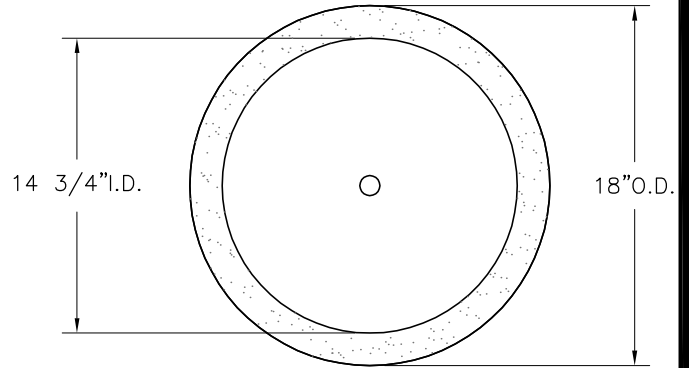
Authorized Signature \_\_\_\_\_ Date \_\_\_\_\_

By signing above or stamping this drawing "approved" or "no exception taken" authorization is given to Quick Crete to produce this drawing as shown within a 1/4" tolerance.

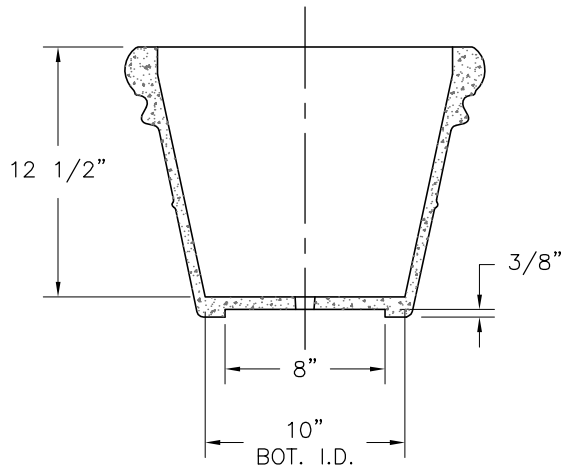
FINISH:  
PLEASE SPECIFY YOUR CHOICE  
BY CHECKING THE BOX BELOW.

- |  |                                 |
|--|---------------------------------|
| <input type="checkbox"/> MEDITERRANEAN | <input type="checkbox"/> QUARRY |
| <input type="checkbox"/> VERENDE       | <input type="checkbox"/> ROMA   |

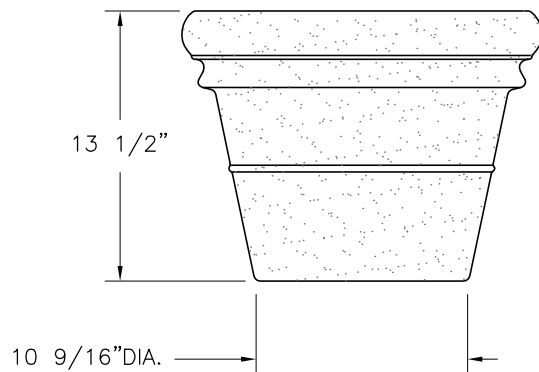
ROMA & VERENDE ARE APPLIED  
FINISHES AT ADDITIONAL COST.



PLAN VIEW



SECTION VIEW



ELEVATION VIEW



**QUICK CRETE**  
PRODUCTS CORP.  
731 PARKRIDGE AVE.  
P.O. BOX 639  
NORCO, CA 92860  
(951) 737-6240 FAX (951) 737-7032  
WWW.QUICKCRETE.COM

PLAN TYPE:	CONSTRUCTION PLAN	DATE:	6/10/99	FILE NO.	DBR1813P	SHEET	1
PRODUCT:	DOUBLE RIM PLANTER (QR-DBR1813P)	SCALE:	1 1/4" = 1'	DRAWN BY:	J.U.	OF	1
PROJECT NAME:							