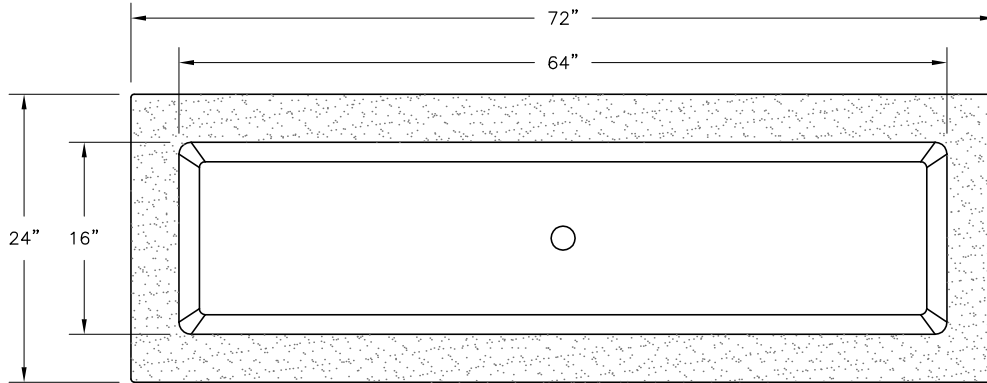


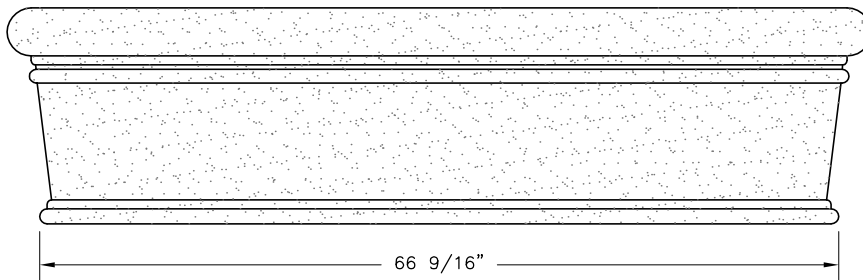
- \* INSTALLATION IS REQUIRED BY OTHERS.
- \* ALL EDGES TO HAVE 1/4" RADIUS MIN.
- \* MANUFACTURING TOLERANCE  $\pm 1/4"$ .
- \* PRODUCT: QR-CLS247218P
- \* QUANTITY: 4
- \* CONCRETE COLOR: C1-NATURAL
- \* CONCRETE TEXTURE: T3-SFSB
- \* SEALER: STANDARD GLOSS SEALER
- \* STD. 2"DIA. DRAIN HOLE
- \* INTERIOR WATER SEALANT

APROX. WT. 964 Lbs.  
 (CUSTOMER TO OFFLOAD IF OVER 8000 Lbs.)

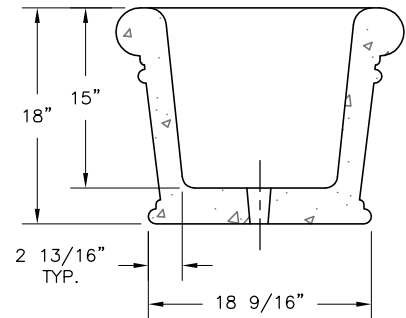
Authorized Signature      Date  
 By signing above or stamping this drawing "approved" or  
 "no exception taken" authorization is given to Quick Crete  
 to produce this drawing as shown within a 1/4" tolerance.



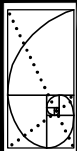
PLAN VIEW



SECTION VIEW



ELEVATION VIEW



**QUICK CRETE**  
 PRODUCTS CORP.  
 731 PARKRIDGE AVE.  
 P.O. BOX 639  
 NORCO, CA 92860  
 (951) 737-6240 FAX (951) 737-7032  
 WWW.QUICKCRETE.COM

PLAN TYPE:  
 PRODUCT:  
 PROJECT NAME:

CONSTRUCTION PLAN  
 CLASSIC PLANTER (QS-CLS247218P)

DATE:  
 12/20/01  
 SCALE:  
 3/4" = 1'

FILE NO.  
 CLS247218  
 DRAWN BY:  
 R.M.

SHEET  
 1  
 OF  
 1