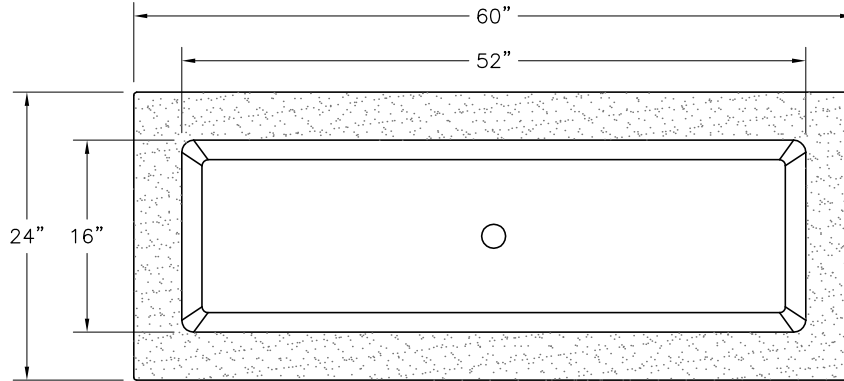


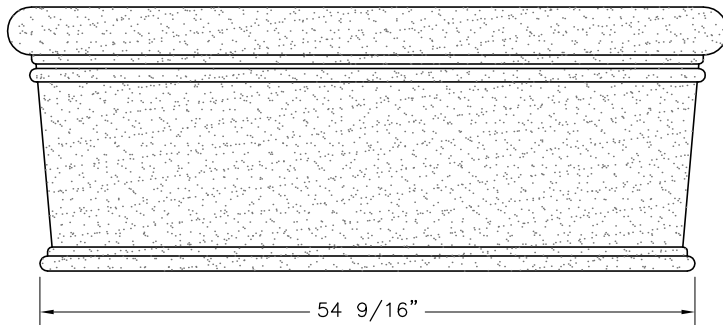
- * INSTALLATION IS REQUIRED BY OTHERS.
- * ALL EDGES TO HAVE 1/4" RADIUS MIN.
- * MANUFACTURING TOLERANCE $\pm 1/4"$.
- * PRODUCT: QS-CLS246022P
- * QUANTITY: 4
- * CONCRETE COLOR: C1-NATURAL
- * CONCRETE TEXTURE: T3-SFSB
- * SEALER: STANDARD GLOSS SEALER
- * STD. 2"DIA. DRAIN HOLE
- * INTERIOR WATER SEALANT

* APPROX. WT. 964 Lbs.

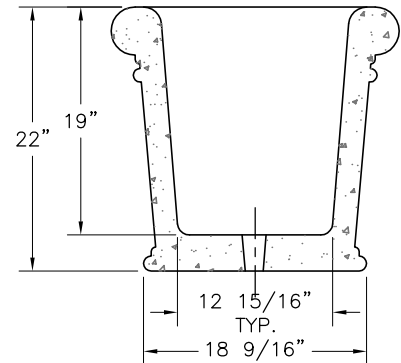
Authorized Signature _____ Date _____
 By signing above or stamping this drawing "approved" or
 "no exception taken" authorization is given to Quick Crete
 to produce this drawing as shown within a 1/4" tolerance.



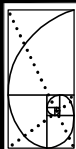
PLAN VIEW



SECTION VIEW



ELEVATION VIEW



QUICK CRETE
 PRODUCTS CORP.
 731 PARKRIDGE AVE.
 P.O. BOX 639
 NORCO, CA 92860
 (951) 737-6240 FAX (951) 737-7032
 WWW.QUICKCRETE.COM

PLAN TYPE:	CONSTRUCTION PLAN
PRODUCT:	CLASSIC PLANTER (QS-CLS246022P)
PROJECT NAME:	

DATE:	12/20/01
SCALE:	3/4" = 1'

FILE NO.	CLS246022
DRAWN BY:	R.M.

SHEET	1
OF	1