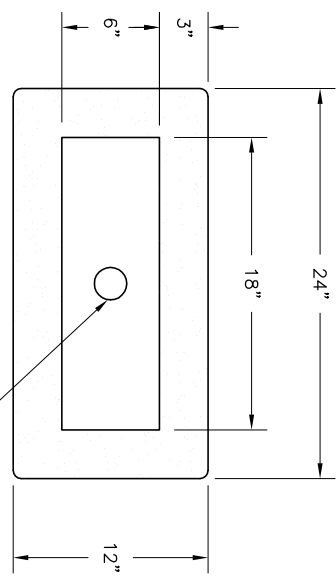


- \* INSTALLATION IS REQUIRED BY OTHERS.
- \* ALL EDGES TO HAVE 1/4" RADIUS MIN.
- \* MANUFACTURING TOLERANCE ±1/4".
- \* PRODUCT: QS-CLS122418P
- \* QUANTITY: \_\_\_\_\_
- \* CONCRETE COLOR: \_\_\_\_\_
- \* CONCRETE TEXTURE: \_\_\_\_\_
- \* SEALER: STANDARD GLOSS SEALER
- \* STD. 2"DIA. DRAIN HOLE
- \* INCLUDES INTERIOR WATER SEALANT
- \* STD. COLOR & TEXTURE OPTIONS

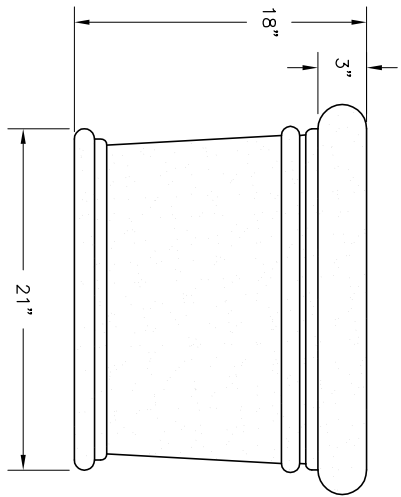
APPROX. WT. 178 LBS.  
(CUSTOMER TO OFFLOAD IF OVER 8000 Lbs.)

Authorized Signature \_\_\_\_\_ Date \_\_\_\_\_  
By signing above or stamping this drawing "approved" or "no exception taken" authorization is given to Quick Crete to produce this drawing as shown within a 1/4" tolerance.

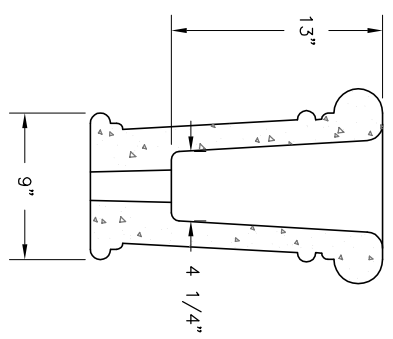


PLAN VIEW

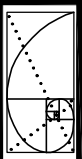
STD. 2"DIA. DRAIN HOLE. (CENTERED)



ELEVATION VIEW



SECTION VIEW



**QUICK CRETE**  
PRODUCTS CORP.  
731 PARKRIDGE AVE.  
P.O. BOX 639  
NORCO, CA 92860  
(951) 737-6240 FAX (951) 737-7032  
WWW.QUICKCRETE.COM

PLAN TYPE:  
PRODUCT:  
PROJECT NAME:

CONSTRUCTION PLAN  
CLASSIC REC. PLANTER (QS-CLS122418P)

DATE:  
SCALE: 1" = 1'

FILE NO. QS-RCLS122418P  
DRAWN BY:

SHEET 1 OF 1