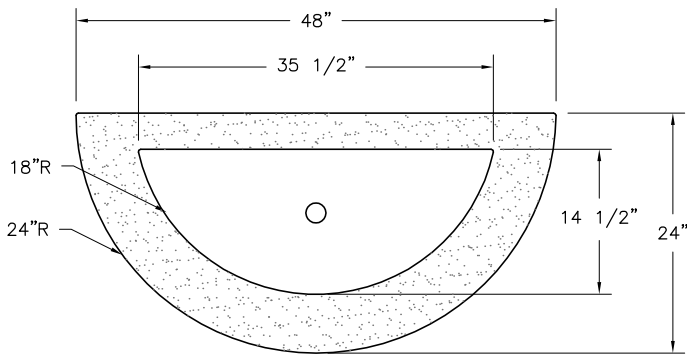


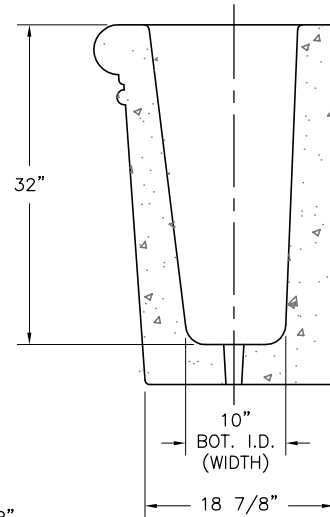
- \* INSTALLATION IS REQUIRED BY OTHERS.
- \* ALL EDGES TO HAVE 1/4" RADIUS MIN.
- \* MANUFACTURING TOLERANCE  $\pm 1/4$ ".
- \* PRODUCT: QR-CLS4836P 1/2
- \* QUANTITY: \_\_\_\_\_
- \* CONCRETE COLOR: \_\_\_\_\_
- \* CONCRETE TEXTURE: \_\_\_\_\_
- \* SEALER: STANDARD GLOSS SEALER
- \* (1)41"DIA. STYLE "B" SAUCER
- \* STD. COLOR & TEXTURE OPTIONS

\* APPROX. WT. 1,026 LBS.

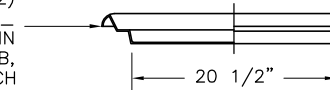
Authorized Signature \_\_\_\_\_ Date \_\_\_\_\_  
 By signing above or stamping this drawing "approved" or "no exception taken" authorization is given to Quick Crete to produce this drawing as shown within a 1/4" tolerance.



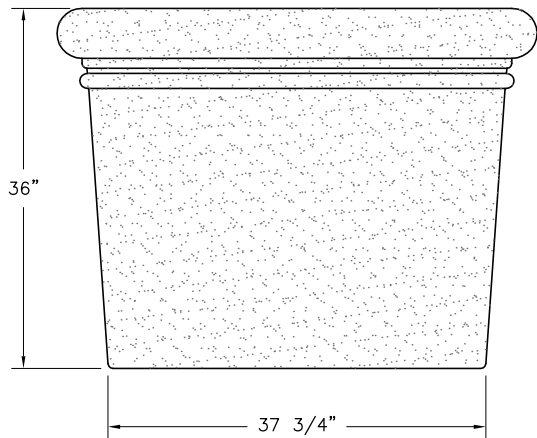
PLAN VIEW



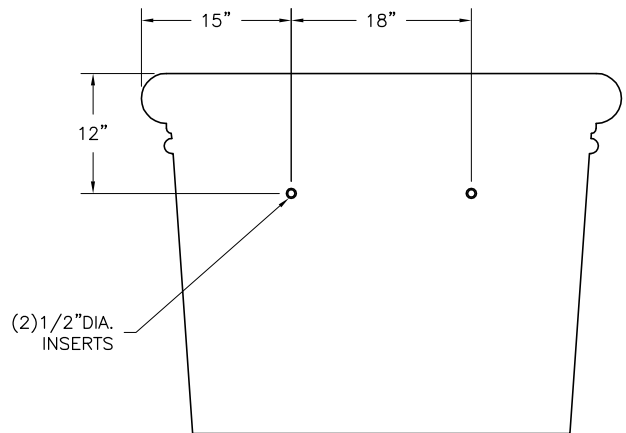
(1)41" I.D. STYLE "B"  
 FIBERGLAS SAUCER  
 (QR-41B-1/2)  
 COLOR: \_\_\_\_\_  
 TEXTURE: AVILABLE IN  
 T1-SMOOTH, T2-LSB,  
 OR T7-ACID ETCH  
 SEALER: \_\_\_\_\_



SECTION VIEW

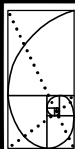


FRONT ELEVATION VIEW



REAR ELEVATION VIEW

K:\PLANTERS\ROUND-P\Classic\cls4836hf.dwg, 11/14/2005 8:38:56 AM, 1:19.2, MG, MG



**QUICK CRETE**  
 PRODUCTS CORP.  
 731 PARKRIDGE AVE.  
 P.O. BOX 639  
 NORCO, CA 92860  
 (951) 737-6240 FAX (951) 737-7032  
 WWW.QUICKCRETE.COM

PLAN TYPE:	CONSTRUCTION PLAN	DATE:	02/27/02	FILE NO.:	CLS4836HF	SHEET	1
PRODUCT:	CLASSIC PLANTER (QR-CLS4836P 1/2)	SCALE:	5/8" = 1'	DRAWN BY:	R.M.	OF	1
PROJECT NAME:							