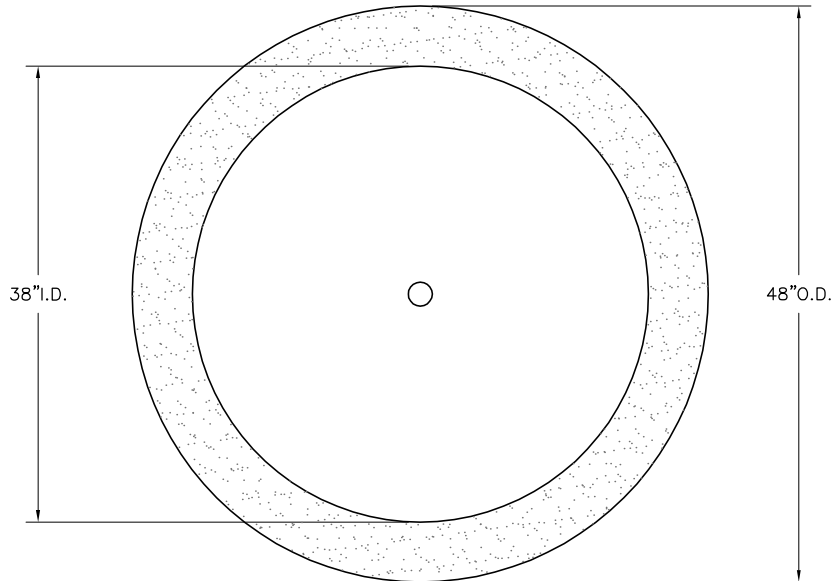


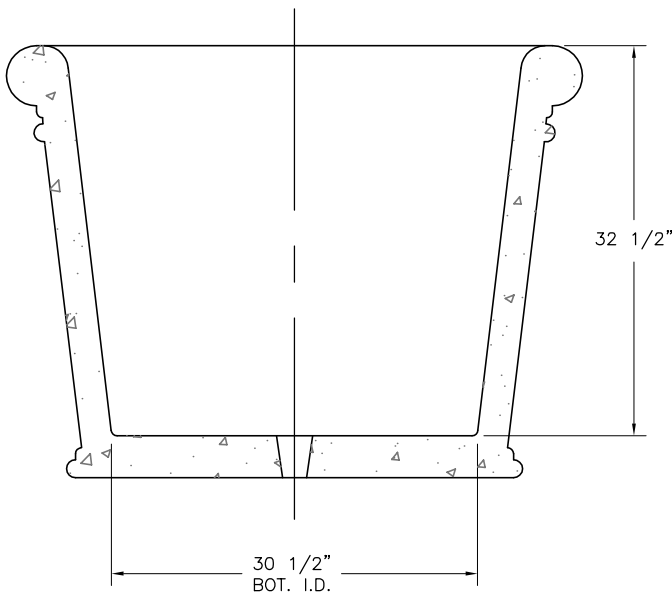
- \* INSTALLATION IS REQUIRED BY OTHERS.
- \* ALL EDGES TO HAVE 1/4" RADIUS MIN.
- \* MANUFACTURING TOLERANCE  $\pm 1/4"$ .
- \* PRODUCT: QR-CLS4836P
- \* QUANTITY: \_\_\_\_\_
- \* CONCRETE COLOR: \_\_\_\_\_
- \* CONCRETE TEXTURE: \_\_\_\_\_
- \* SEALER: STANDARD GLOSS SEALER
- \* STD. 2"DIA. DRAIN HOLE
- \* STD. COLOR & TEXTURE OPTIONS.

- \* APPROX. WT. 1,328 LBS.
- \* APPROX. WT. 679 LBS. (LITE CRETE)

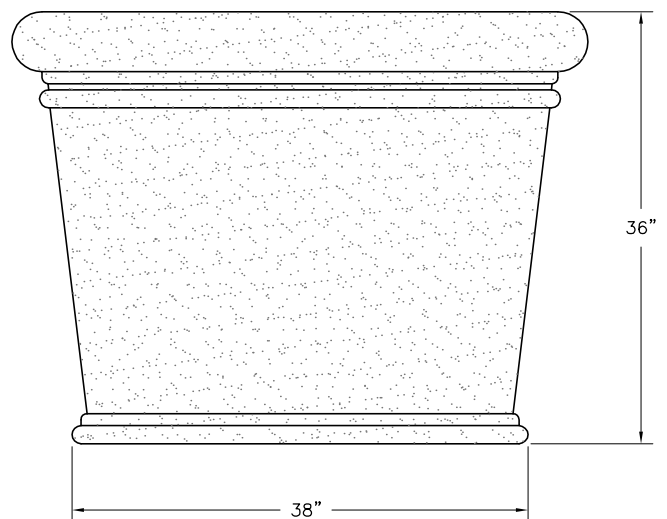
Authorized Signature \_\_\_\_\_ Date \_\_\_\_\_  
 By signing above or stamping this drawing "approved" or  
 "no exception taken" authorization is given to Quick Crete  
 to produce this drawing as shown within a 1/4" tolerance.



PLAN VIEW

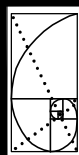


SECTION VIEW



ELEVATION VIEW

K:\PLANTERS\ROUND-P\Classic\CLS4836R.DWG, 11/14/2005 8:40:39 AM, 1:16, MG, MG



**QUICK CRETE**  
**PRODUCTS CORP.**  
**731 PARKRIDGE AVE.**  
**P.O. BOX 639**  
**NORCO, CA 92860**  
**(951) 737-6240 FAX (951) 737-7032**  
**WWW.QUICKCRETE.COM**

PLAN TYPE:  
 PRODUCT:  
 PROJECT NAME:

CONSTRUCTION PLAN  
 CLASSIC PLANTER (QR-CLS4836)

DATE:  
 06/21/00  
 SCALE:  
 3/4" = 1'

FILE NO.  
 CLS4836P  
 DRAWN BY:  
 R.M.

SHEET  
**1**  
 OF  
**1**