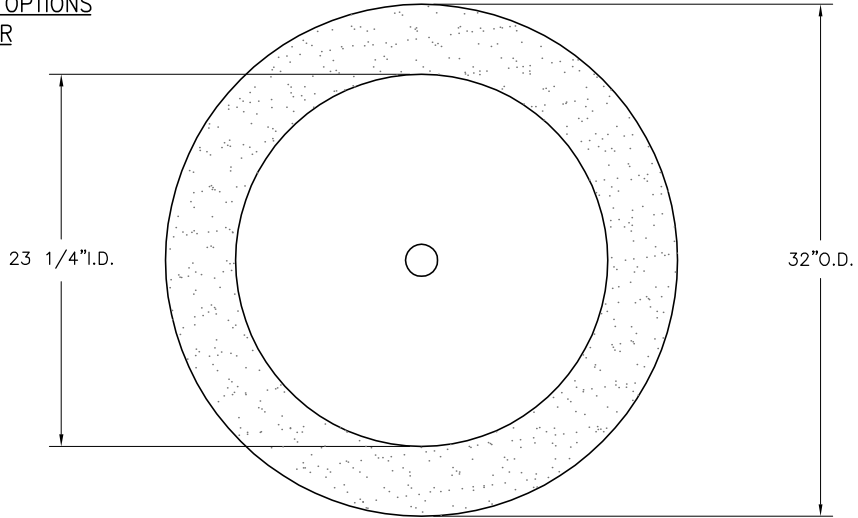


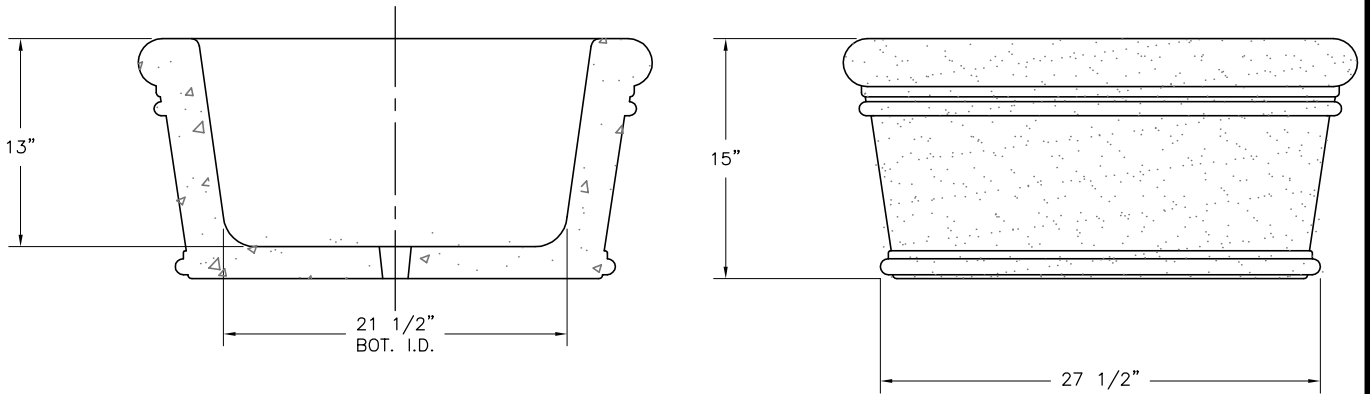
- \* INSTALLATION IS REQUIRED BY OTHERS.
- \* ALL EDGES TO HAVE 1/4" RADIUS MIN.
- \* MANUFACTURING TOLERANCE  $\pm 1/4"$ .
- \* PRODUCT: QR-CLS3215P
- \* QUANTITY: \_\_\_\_\_
- \* CONCRETE COLOR: \_\_\_\_\_
- \* CONCRETE TEXTURE: \_\_\_\_\_
- \* SEALER: STANDARD GLOSS SEALER
- \* STD. 2"DIA. DRAIN HOLE
- \* STD. COLOR & TEXTURE OPTIONS
- \* 27" I.D. STYLE "B" SAUCER

\* APPROX. WT. 372 LBS.

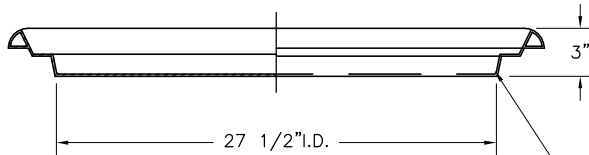
Authorized Signature \_\_\_\_\_ Date \_\_\_\_\_  
 By signing above or stamping this drawing "approved" or "no exception taken" authorization is given to Quick Crete to produce this drawing as shown within a 1/4" tolerance.



PLAN VIEW



ELEVATION VIEW

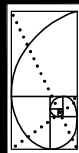


SECTION VIEW

27 1/2" I.D. STYLE "B" SAUCER  
 (QR-27BS-T)  
 QTY: \_\_\_\_  
 COLOR: \_\_\_\_\_  
 TEXTURE: \_\_\_\_\_  
 SEALER: STD. GLOSS SEALER

TEXTURE OPTIONS: T1-SMOOTH, T2-LIGHT SANDBLAST, OR T7-ACID ETCH

K:\PLANTERS\ROUND-P\Classic\CLS3215R.DWG, 11/14/2005 8:24:06 AM, 1:12, MG, MG



**QUICK CRETE**  
 PRODUCTS CORP.  
 731 PARKRIDGE AVE.  
 P.O. BOX 639  
 NORCO, CA 92860  
 (951) 737-6240 FAX (951) 737-7032  
 WWW.QUICKCRETE.COM

PLAN TYPE:  
 PRODUCT:  
 PROJECT NAME:

CONSTRUCTION PLAN  
 CLASSIC PLANTER (QR-CLS3215P)

DATE: 8/02/99  
 SCALE: 1" = 1'

FILE NO. CLS3215R  
 DRAWN BY: R.M.

SHEET 1 OF 1