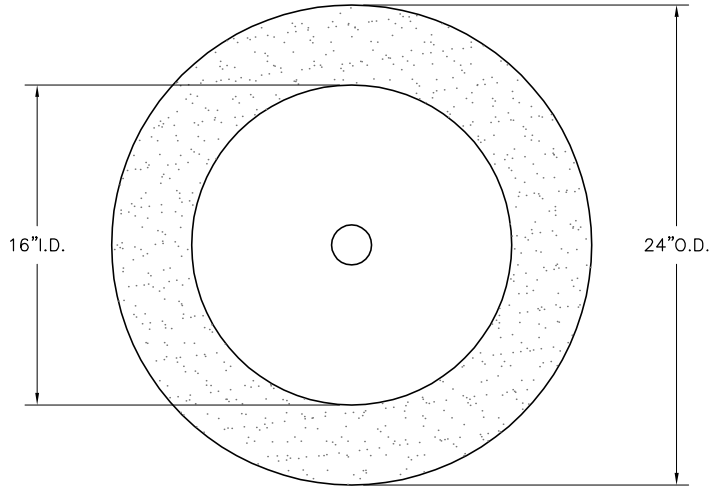


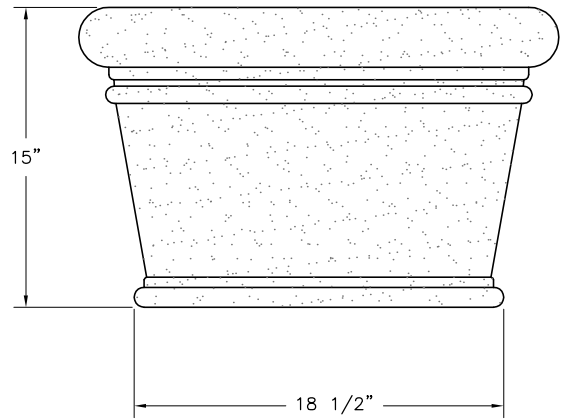
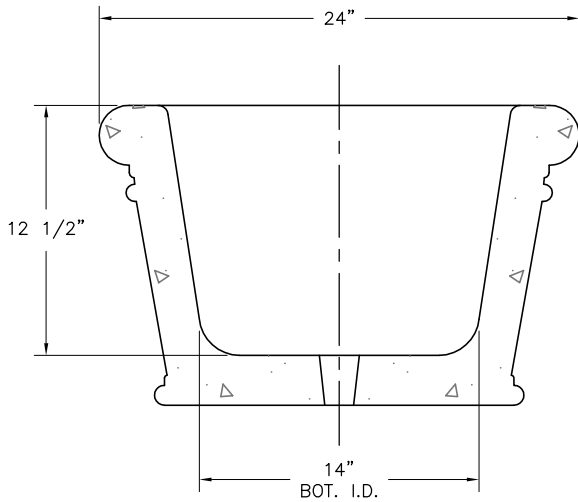
- * INSTALLATION IS REQUIRED BY OTHERS.
- * ALL EDGES TO HAVE 1/4" RADIUS MIN.
- * MANUFACTURING TOLERANCE $\pm 1/4"$.
- * PRODUCT: QR-CLS2415P
- * QUANTITY: _____
- * CONCRETE COLOR: _____
- * CONCRETE TEXTURE: _____
- * SEALER: STANDARD GLOSS SEALER
- * STD. 2"DIA. DRAIN HOLE
- * STD. COLOR & TEXTURE OPTIONS
- * 19" I.D. STYLE "B" SAUCER

* APPROX. WT. 202 LBS.

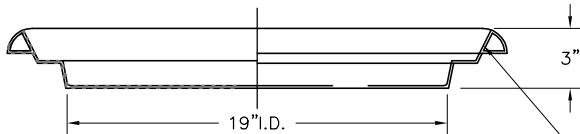
Authorized Signature _____ Date _____
 By signing above or stamping this drawing "approved" or "no exception taken" authorization is given to Quick Crete to produce this drawing as shown within a 1/4" tolerance.



PLAN VIEW



ELEVATION VIEW



SECTION VIEW

19" I.D. STYLE "B" SAUCER
 (QR-19BS-T)
 QTY: 4
 COLOR: C3-LATTE
 TEXTURE: _____
 SEALER: STD. GLOSS SEALER

K:\PLANTERS\ROUND-P\Classic\cls2415r.dwg, 11/14/2005 8:11:05 AM, 1:3.6, MG, MG



QUICK CRETE
 PRODUCTS CORP.
 731 PARKRIDGE AVE.
 P.O. BOX 639
 NORCO, CA 92860
 (951) 737-6240 FAX (951) 737-7032
 WWW.QUICKCRETE.COM

PLAN TYPE:	CONSTRUCTION PLAN	DATE:	FILE NO. Cls2415r
PRODUCT:	CLASSIC PLANTER (QR-CLS2415P)	SCALE: 1 1/4" = 1'	DRAWN BY: O.C.
PROJECT NAME:			

SHEET 1
OF 1