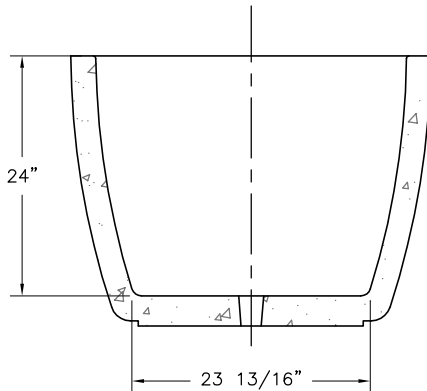
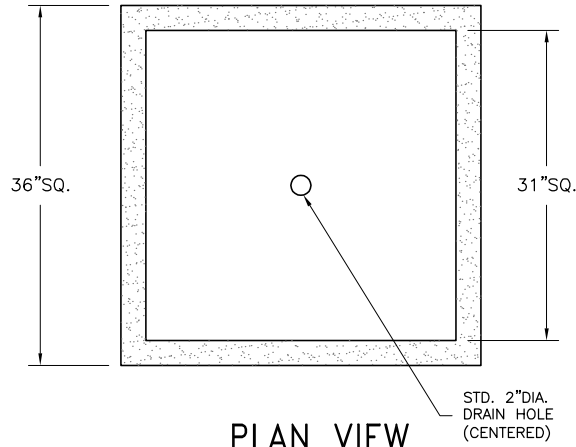


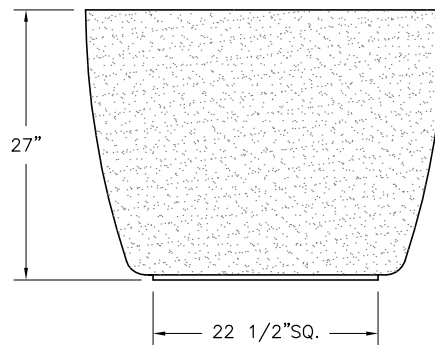
- \* INSTALLATION IS REQUIRED BY OTHERS.
- \* ALL EDGES TO HAVE 1/4" RADIUS MIN.
- \* MANUFACTURING TOLERANCE  $\pm 1/4"$ .
- \* PRODUCT: QS-CE3627P
- \* QUANTITY: \_\_\_\_\_
- \* CONCRETE COLOR: \_\_\_\_\_
- \* CONCRETE TEXTURE: \_\_\_\_\_
- \* SEALER: STANDARD GLOSS SEALER
- \* STD. 2"DIA. DRAIN HOLE
- \* INCLUDES INTERIOR WATER SEALANT
- \* STD. COLOR & TEXTURE OPTIONS

APROX. WT. 836 LBS.  
(CUSTOMER TO OFFLOAD IF OVER 8000 Lbs.)

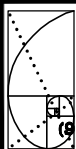
Authorized Signature \_\_\_\_\_ Date \_\_\_\_\_  
By signing above or stamping this drawing "approved" or "no exception taken" authorization is given to Quick Crete to produce this drawing as shown within a 1/4" tolerance.



**SECTION VIEW**



**ELEVATION VIEW**



**QUICK CRETE**  
PRODUCTS CORP.  
731 PARKRIDGE AVE.  
P.O. BOX 639  
NORCO, CA 92860  
(951) 737-6240 FAX (951) 737-7032  
WWW.QUICKCRETE.COM

|               |                                    |        |           |           |            |       |   |  |
|---------------|------------------------------------|--------|-----------|-----------|------------|-------|---|--|
| PLAN TYPE:    | CONSTRUCTION PLAN                  | DATE:  | 06/26/07  | FILE NO.: | QS-CE3627P | SHEET | 1 |  |
| PRODUCT:      | CASCADE STYLE PLANTER (QS-CE3627P) | SCALE: | 5/8" = 1' | DRAWN BY: | R.M.       | OF    | 1 |  |
| PROJECT NAME: |                                    |        |           |           |            |       |   |  |