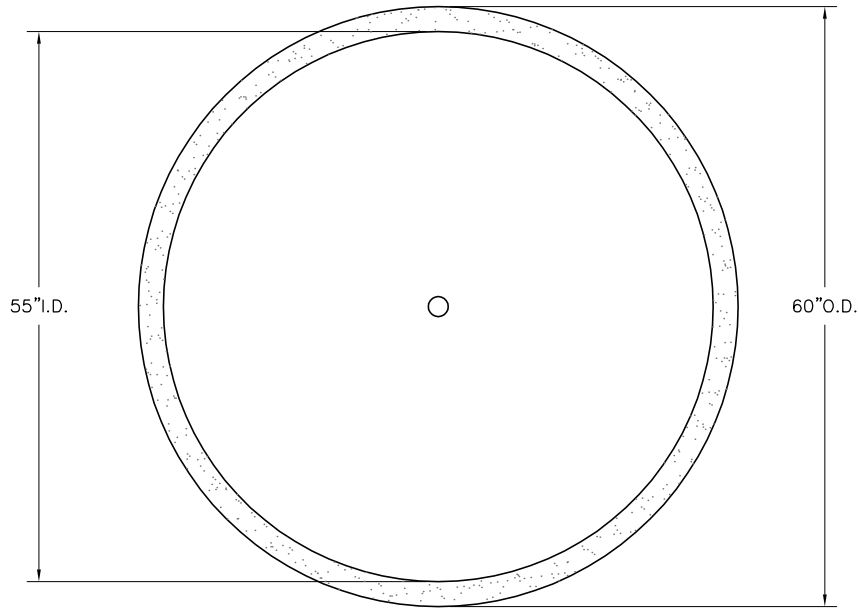


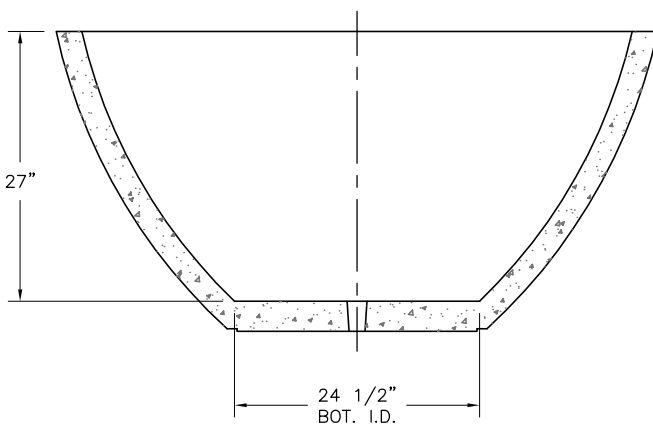
- * INSTALLATION IS REQUIRED BY OTHERS.
- * ALL EDGES TO HAVE 1/4" RADIUS MIN.
- * MANUFACTURING TOLERANCE $\pm 1/4"$.
- * PRODUCT: QR-CE6030P
- * QUANTITY: _____
- * CONCRETE COLOR: _____
- * CONCRETE TEXTURE: _____
- * SEALER: STANDARD GLOSS SEALER
- * STD. 2" DIA. DRAIN HOLE
- * STD. COLOR & TEXTURE OPTIONS

* APPROX. WT. 1,137 LBS.

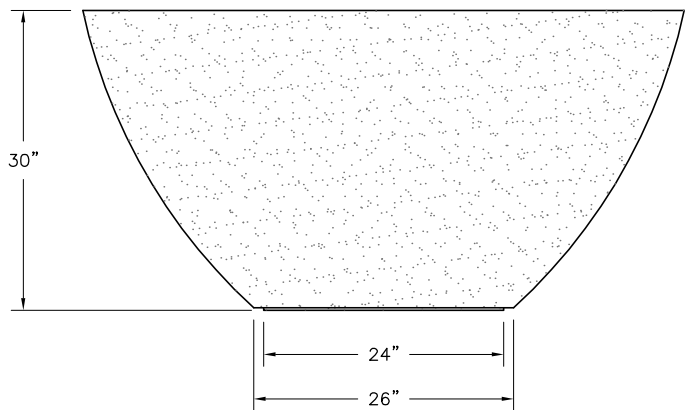
Authorized Signature Date
 By signing above or stamping this drawing "approved" or
 "no exception taken" authorization is given to Quick Crete
 to produce this drawing as shown within a 1/4" tolerance.



PLAN VIEW

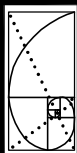


SECTION VIEW



ELEVATION VIEW

K:\PLANTERS\ROUND-P\Cascade\CE6030.DWG, 11/14/2005 7:58:06 AM, 1:19.2, MG, MG



QUICK CRETE
PRODUCTS CORP.
731 PARKRIDGE AVE.
P.O. Box 639
NORCO, CA 92860
(951) 737-6240 FAX (951) 737-7032
WWW.QUICKCRETE.COM

PLAN TYPE:
 PRODUCT:
 PROJECT NAME:

CONSTRUCTION PLAN
 CASCADE PLANTER (QR-CE6030P)

DATE: 12/7/99
 SCALE: 5/8" = 1'

FILE NO. CE6030
 DRAWN BY: J.U.

SHEET 1 OF 1