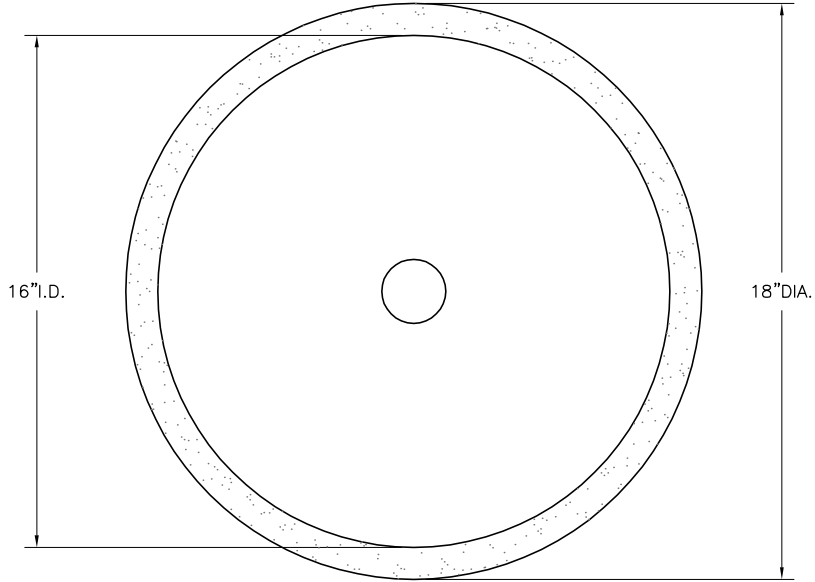


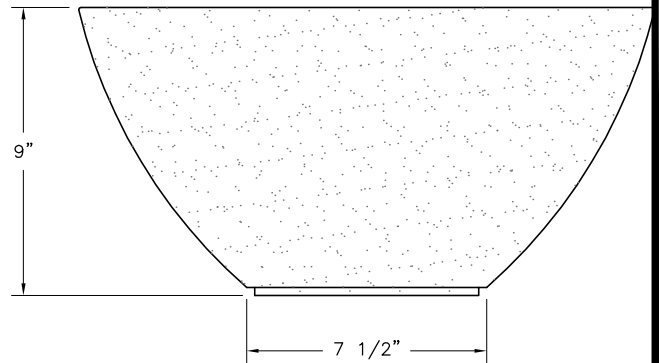
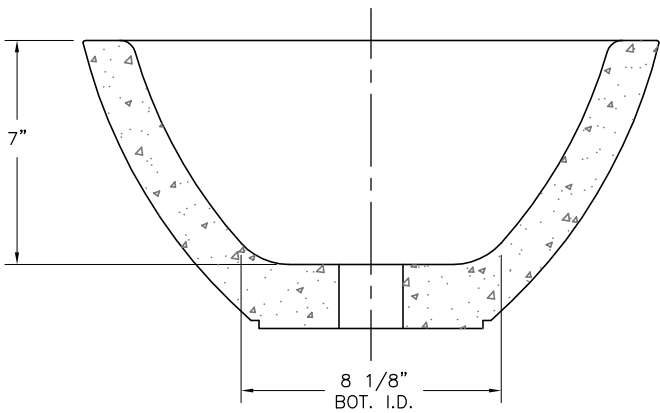
- * INSTALLATION IS REQUIRED BY OTHERS.
- * ALL EDGES TO HAVE 1/4" RADIUS MIN.
- * MANUFACTURING TOLERANCE $\pm 1/4"$.
- * PRODUCT: QR-CE189P
- * QUANTITY: _____
- * CONCRETE COLOR: _____
- * CONCRETE TEXTURE: _____
- * SEALER: STANDARD GLOSS SEALER
- * STD. 2"DIA. DRAIN HOLE
- * STD. COLOR & TEXTURE OPTIONS

* APPROX. WT. 54 LBS.

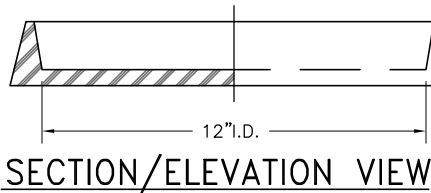
Authorized Signature _____ Date _____
 By signing above or stamping this drawing "approved" or
 "no exception taken" authorization is given to Quick Crete
 to produce this drawing as shown within a 1/4" tolerance.



PLAN VIEW



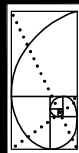
ELEVATION VIEW



SECTION/ELEVATION VIEW

12" I.D. ROUND
 STYLE "A" SAUCER
 (QR-12A-S)
 COLOR: _____
 TEXTURE: _____
 SEALER: _____

K:\PLANTERS\ROUND-P\Cascade\Ce189.dwg, 11/11/2005 2:37:17 PM, 1:6, MG, MG



QUICK CRETE
 PRODUCTS CORP.
 731 PARKRIDGE AVE.
 P.O. BOX 639
 NORCO, CA 92860
 (951) 737-6240 FAX (951) 737-7032
 WWW.QUICKCRETE.COM

PLAN TYPE:
 PRODUCT:
 PROJECT NAME:

CONSTRUCTION PLAN
 CASCADE PLANTER (QR-CE189P)

DATE: 2/7/02
 SCALE: 2" = 1'

FILE NO. CE189P
 DRAWN BY: J.U.

SHEET 1 OF 1