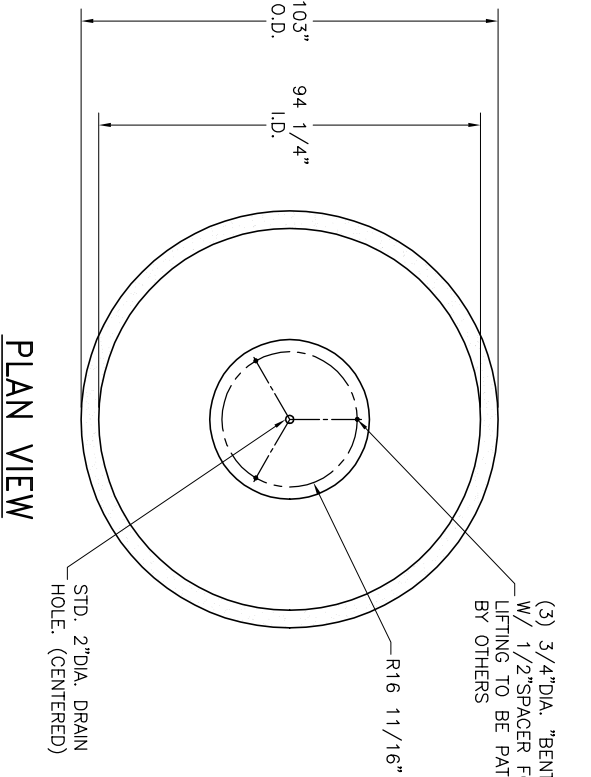


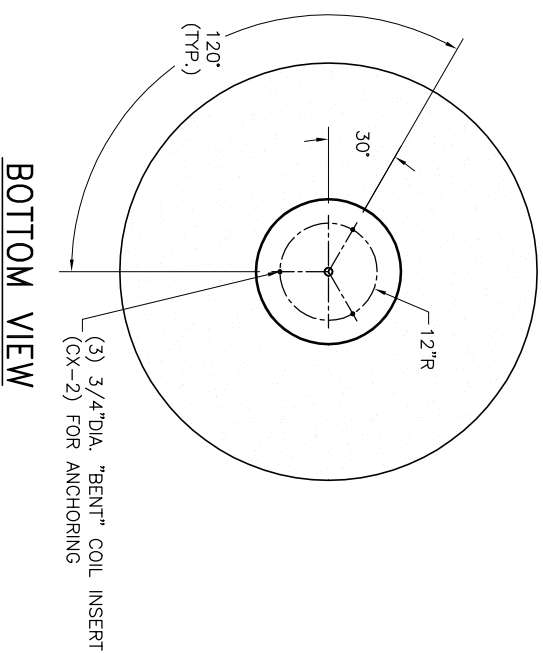
- \* INSTALLATION IS REQUIRED BY OTHERS.
- \* ALL EDGES TO HAVE 1/4" RADIUS MIN.
- \* MANUFACTURING TOLERANCE ±1/4".
- \* PRODUCT: QR-CE10330P
- \* QUANTITY: \_\_\_\_\_
- \* CONCRETE COLOR: \_\_\_\_\_
- \* CONCRETE TEXTURE: \_\_\_\_\_
- \* SEALER: STD. GLOSS SEALER
- \* STD. 2"DIA. DRAIN HOLE
- \* INCLUDE INTERIOR WATER SEALANT
- \* STD. COLOR & TEXTURE OPTIONS

APPROX. WT. 3,815 LBS.  
(CUSTOMER TO OFFLOAD IF OVER 8000 LBS.)

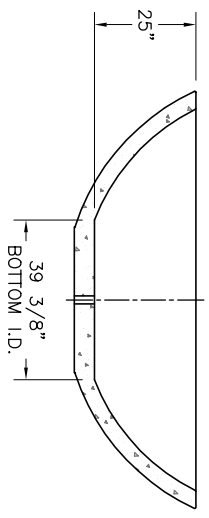
Authorized Signature \_\_\_\_\_ Date \_\_\_\_\_  
By signing above or stamping this drawing "approved" or "no exception taken" authorization is given to Quick Crete to produce this drawing as shown within a 1/4" tolerance.



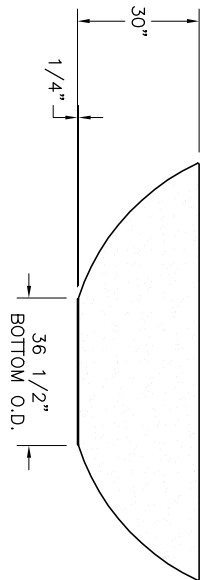
PLAN VIEW



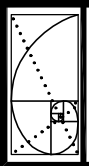
BOTTOM VIEW



SECTION VIEW



ELEVATION VIEW



**QUICK CRETE**  
PRODUCTS CORP.  
731 PARKRIDGE AVE.  
P.O. BOX 639  
NORCO, CA 92860  
(951) 737-6240 FAX (951) 737-7032  
WWW.QUICKCRETE.COM

PLAN TYPE:  
PRODUCT:  
PROJECT NAME:

CONSTRUCTION PLAN  
CASCADE PLANTER (QR-10330P)

DATE: 7/17/08  
SCALE: 3/8" = 1'

FILE NO. CE10330  
DRAWN BY: J.A.S.

SHEET 1 OF 1