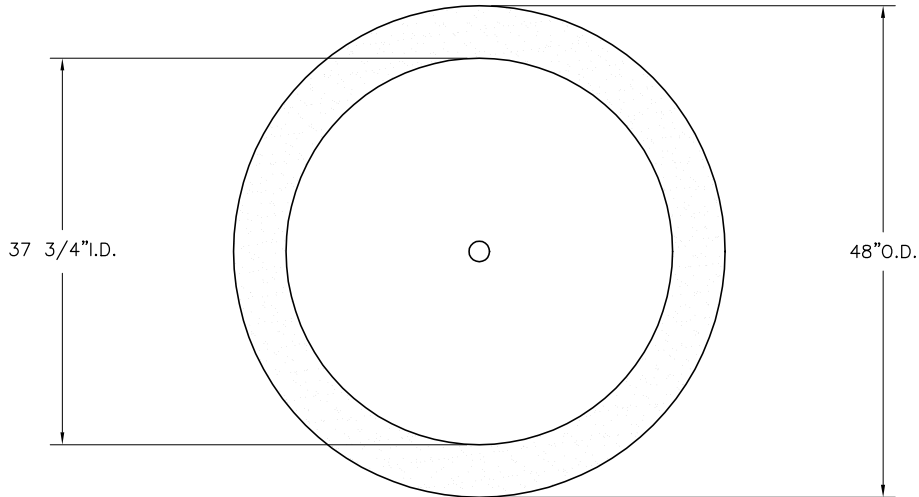


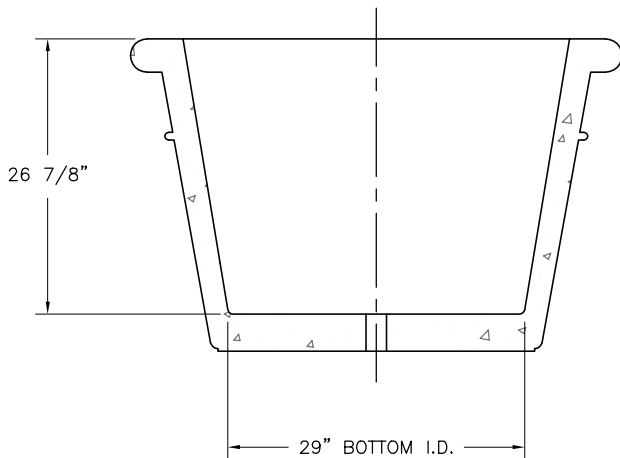
- \* INSTALLATION IS REQUIRED BY OTHERS.
- \* ALL EDGES TO HAVE 1/4" RADIUS MIN.
- \* MANUFACTURING TOLERANCE  $\pm 1/4"$ .
- \* PRODUCT: QR-CB4830P
- \* QUANTITY: \_\_\_\_\_
- \* CONCRETE COLOR: \_\_\_\_\_
- \* CONCRETE TEXTURE: \_\_\_\_\_
- \* SEALER: STANDARD GLOSS SEALER
- \* STD. 2" DIA. DRAIN HOLE
- \* INCLUDE INTERIOR WATER SEALANT
- \* STD. COLOR & TEXTURE OPTIONS

APROX. WT. 1,012 LBS.  
(CUSTOMER TO OFFLOAD IF OVER 8000 Lbs.)

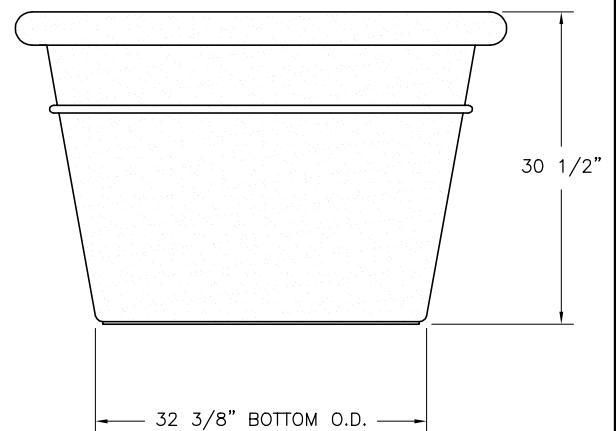
Authorized Signature \_\_\_\_\_ Date \_\_\_\_\_  
By signing above or stamping this drawing "approved" or  
"no exception taken" authorization is given to Quick Crete  
to produce this drawing as shown within a 1/4" tolerance.



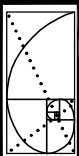
PLAN VIEW



SECTION VIEW



ELEVATION VIEW



**QUICK CRETE**  
PRODUCTS CORP.  
731 PARKRIDGE AVE.  
P.O. BOX 639  
NORCO, CA 92860  
(951) 737-6240 FAX (951) 737-7032  
WWW.QUICKCRETE.COM

PLAN TYPE:	CONSTRUCTION PLAN	DATE:	7/15/08	FILE NO.:	CB4830	SHEET	1
PRODUCT:	CARLSBAD PLANTER (QR-CB4830P)	SCALE:	5/8" = 1'	DRAWN BY:	J.A.S.	OF	1
PROJECT NAME:							