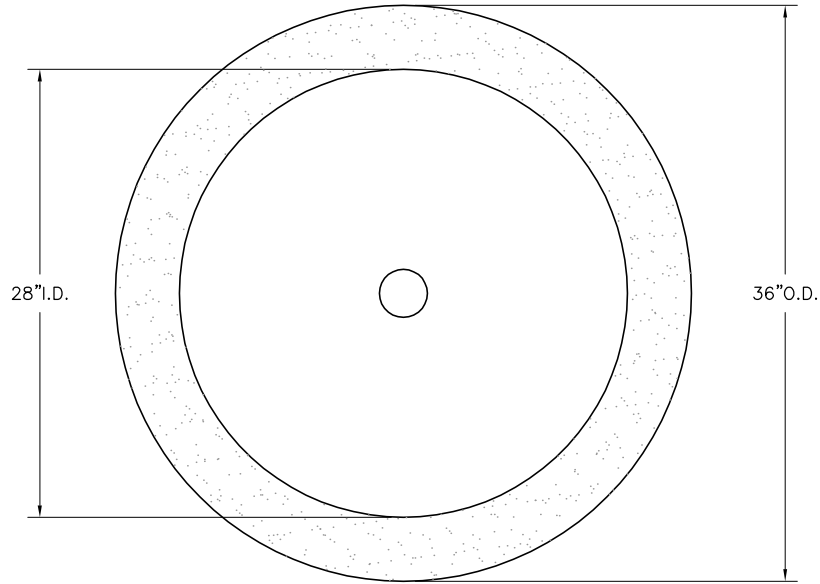


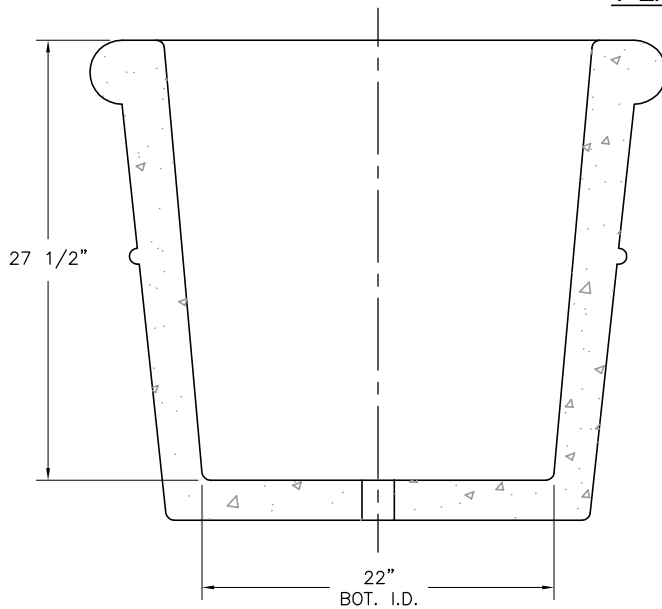
- \* INSTALLATION IS REQUIRED BY OTHERS.
- \* ALL EDGES TO HAVE 1/4" RADIUS MIN.
- \* MANUFACTURING TOLERANCE  $\pm 1/4"$ .
- \* PRODUCT: QR-CB3630P
- \* QUANTITY: \_\_\_\_\_
- \* CONCRETE COLOR: \_\_\_\_\_
- \* CONCRETE TEXTURE: \_\_\_\_\_
- \* SEALER: STANDARD GLOSS SEALER
- \* STD. 2"DIA. DRAIN HOLE
- \* STD. COLOR & TEXTURE OPTIONS

\* APPROX. WT: 750 LBS.

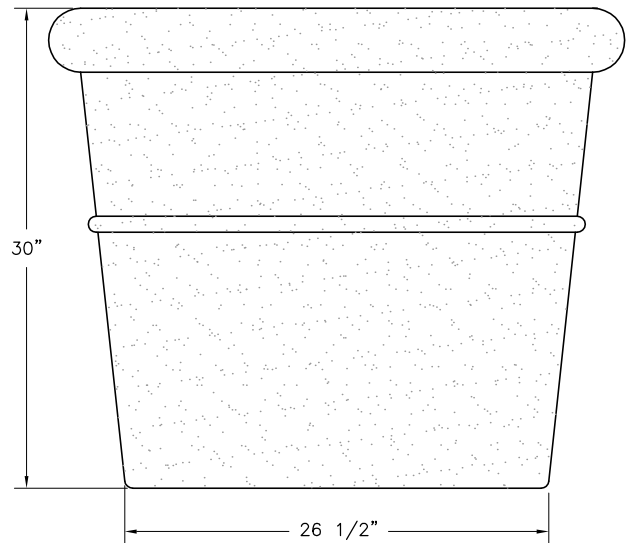
Authorized Signature \_\_\_\_\_ Date \_\_\_\_\_  
 By signing above or stamping this drawing "approved" or  
 "no exception taken" authorization is given to Quick Crete  
 to produce this drawing as shown within a 1/4" tolerance.



PLAN VIEW



SECTION VIEW



ELEVATION VIEW

K:\PLANTERS\ROUND-P\Carlsbad\CB3630.dwg, 11/11/2006 2:23:11 PM, 1:12, MG, MG



**QUICK CRETE**  
**PRODUCTS CORP.**  
**731 PARKRIDGE AVE.**  
**P.O. BOX 639**  
**NORCO, CA 92860**  
**(951) 737-6240 FAX (951) 737-7032**  
**WWW.QUICKCRETE.COM**

PLAN TYPE:  
 PRODUCT:  
 PROJECT NAME:

CONSTRUCTION PLAN  
 CARLSBAD PLANTER (QR-CB3630P)

DATE: 5/1/97  
 SCALE: 1" = 1'

FILE NO. CB3630  
 DRAWN BY: J.S.

SHEET 1 OF 1