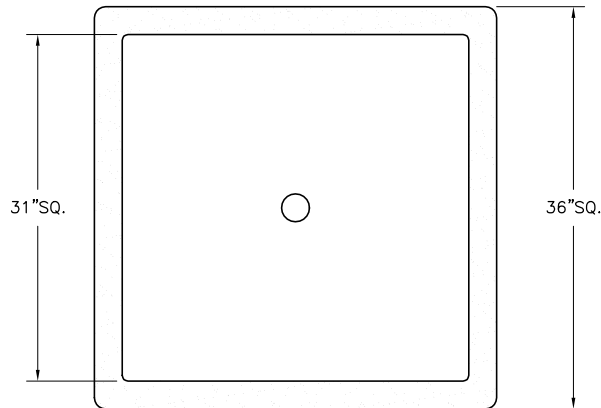


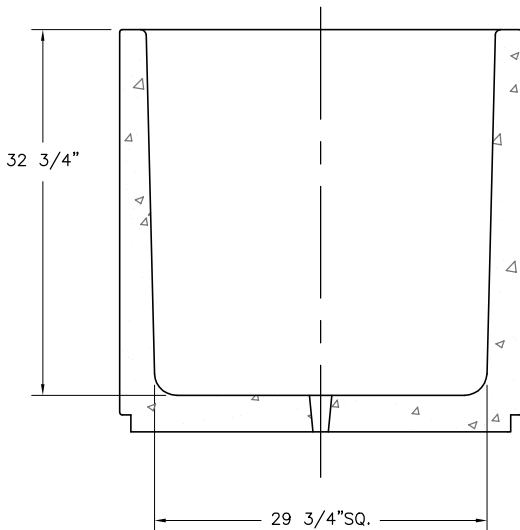
- \* INSTALLATION IS REQUIRED BY OTHERS.
- \* ALL EDGES TO HAVE 1/4" RADIUS MIN.
- \* MANUFACTURING TOLERANCE  $\pm 1/4$ ".
- \* PRODUCT: QS-CAL3636P
- \* QUANTITY: \_\_\_\_\_
- \* CONCRETE COLOR: \_\_\_\_\_
- \* CONCRETE TEXTURE: \_\_\_\_\_
- \* SEALER: STANDARD GLOSS SEALER
- \* STD. 2" DIA. DRAIN HOLE
- \* STD. COLOR & TEXTURE OPTIONS

\* APPROX. WT. 1,402 LBS.

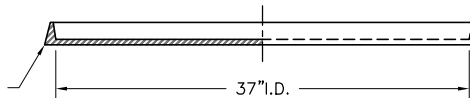
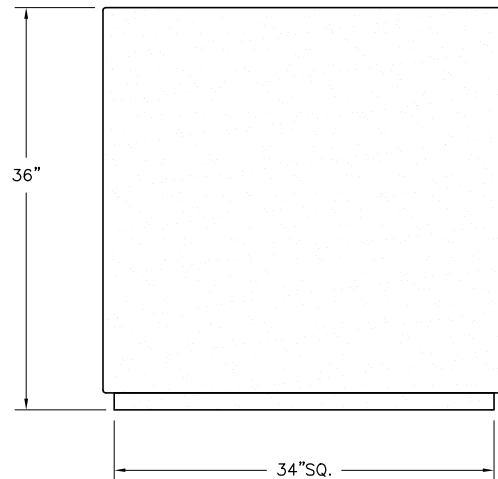
Authorized Signature \_\_\_\_\_ Date \_\_\_\_\_  
 By signing above or stamping this drawing "approved" or  
 "no exception taken" authorization is given to Quick Crete  
 to produce this drawing as shown within a 1/4" tolerance.



PLAN VIEW



SECTION VIEW



63" I.D. SQUARE  
 STYLE "A" SAUCER  
 (QR-37A-S)  
 COLOR: \_\_\_\_\_  
 TEXTURE AVAILABLE IN T1-SMOOTH,  
 T2-LSB, OR T7-ACID ETCH ONLY  
 STD. GLOSS SEALER

ELEVATION VIEW



**QUICK CRETE**  
 PRODUCTS CORP.  
 731 PARKRIDGE AVE.  
 P.O. BOX 639  
 NORCO, CA 92860  
 (951) 737-6240 FAX (951) 737-7032  
 WWW.QUICKCRETE.COM

PLAN TYPE:	CONSTRUCTION PLAN	DATE:	9/18/01	FILE NO.:	CAL3636	SHEET	1
PRODUCT:	CALIFORNIA PLANTER (QS-CAL3636P)	SCALE:	3/4" = 1'	DRAWN BY:	M.M.	OF	1
PROJECT NAME:							