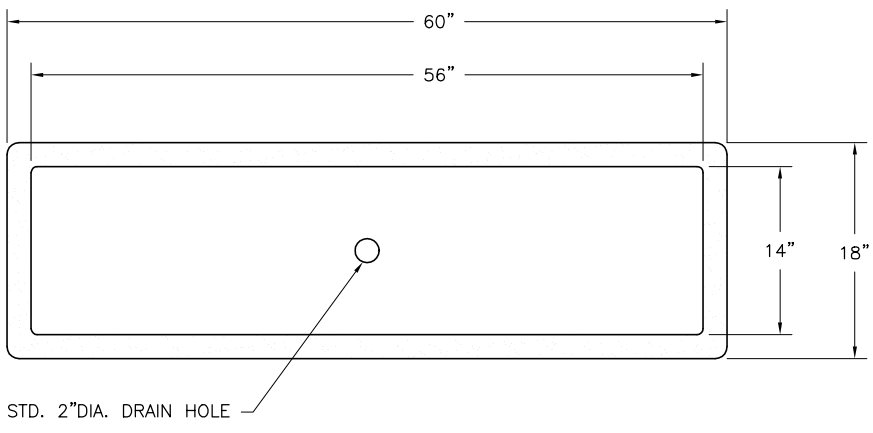


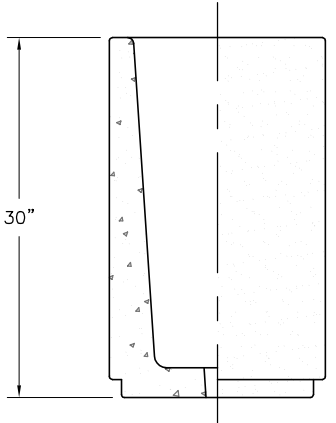
- * INSTALLATION IS REQUIRED BY OTHERS.
- * ALL EDGES TO HAVE 1/4" RADIUS MIN.
- * MANUFACTURING TOLERANCE $\pm 1/4"$.
- * PRODUCT: QS-CAL186030P
- * QUANTITY: _____
- * CONCRETE COLOR: _____
- * CONCRETE TEXTURE: _____
- * SEALER: STANDARD GLOSS SEALER
- * STD. COLOR OPTIONS
- * TEXTURE ONLY AVAILABLE IN
T1-SMOOTH, T2-LSB, OR T7-ACID ETCH
- * INCLUDE INTERIOR WATER SEALANT
- * STD. 2"DIA. DRAIN HOLE

APROX. WT. 1,215 Lbs.
(CUSTOMER TO OFFLOAD IF OVER 8000 Lbs.)

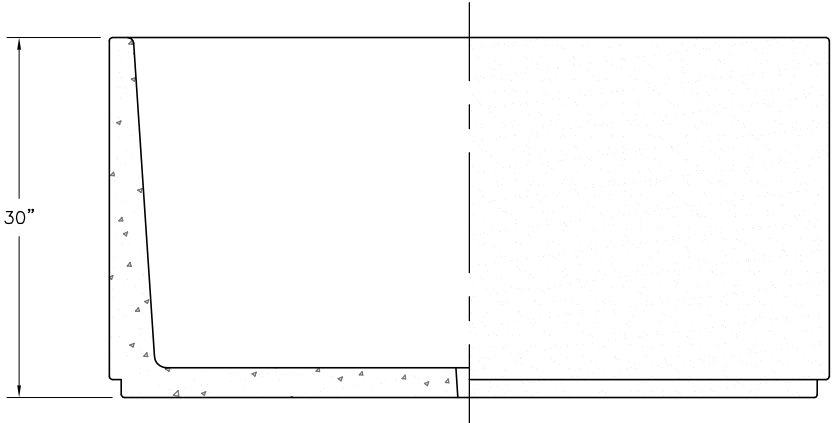
Authorized Signature _____ Date _____
By signing above or stamping this drawing "approved" or "no exception taken" authorization is given to Quick Crete to produce this drawing as shown within a 1/4" tolerance.



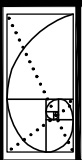
PLAN VIEW



SECTION/SIDE VIEW



SECTION/ELEVATION VIEW



QUICK CRETE
PRODUCTS CORP.
731 PARKRIDGE AVE.
P.O. BOX 639
NORCO, CA 92860
(951) 737-6240 FAX (951) 737-7032
WWW.QUICKCRETE.COM

PLAN TYPE:
PRODUCT:
PROJECT NAME:

CONSTRUCTION PLAN
CALIFORNIA PLANTER (QS-CAL186030P)

DATE:
SCALE:
3/4" = 1'

FILE NO.
CAL186030
DRAWN BY:

SHEET
1
OF
1