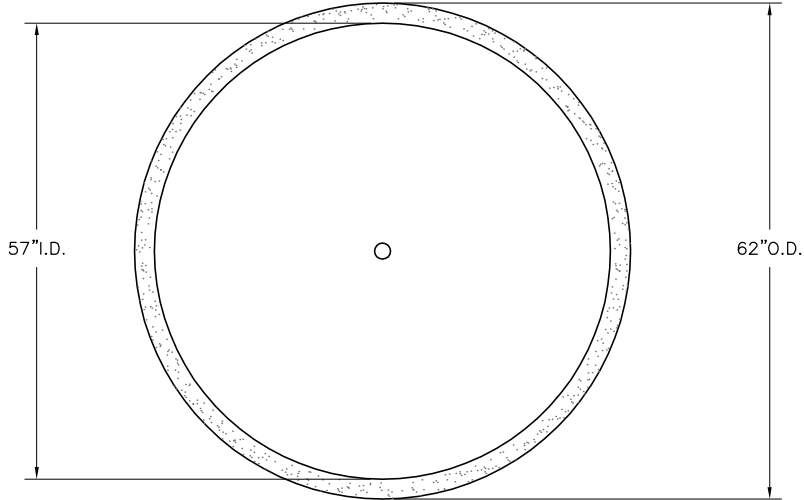


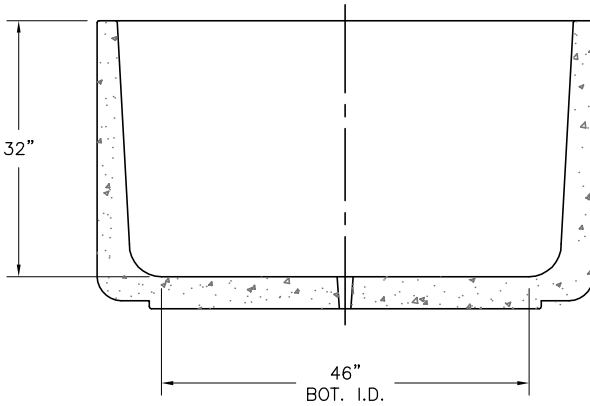
- * INSTALLATION IS REQUIRED BY OTHERS.
- * ALL EDGES TO HAVE 1/4" RADIUS MIN.
- * MANUFACTURING TOLERANCE $\pm 1/4"$.
- * PRODUCT: QR-CAL6236P
- * QUANTITY: _____
- * CONCRETE COLOR: _____
- * CONCRETE TEXTURE: _____
- * SEALER: STANDARD GLOSS SEALER
- * STD. 2" DRAIN HOLE
- * STD. COLOR & TEXTURE OPTIONS.

- * APPROX. WT. 2,679 LBS.
- * APPROX. WT. 875 LBS.

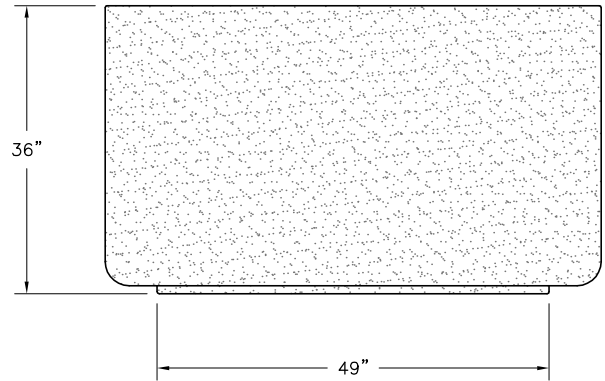
Authorized Signature _____ Date _____
 By signing above or stamping this drawing "approved" or "no exception taken" authorization is given to Quick Crete to produce this drawing as shown within a 1/4" tolerance.



PLAN VIEW



SECTION VIEW



ELEVATION VIEW

K:\PLANTERS\ROUND-P\California\Cal6236r.dwg, 11/11/2005 1:31:34 PM, 1:24, MG, MG



QUICK CRETE
 PRODUCTS CORP.
 731 PARKRIDGE AVE.
 P.O. BOX 639
 NORCO, CA 92860
 (951) 737-6240 FAX (951) 737-7032
 WWW.QUICKCRETE.COM

PLAN TYPE:	CONSTRUCTION PLAN	DATE:	11/6/98	FILE NO.	CAL6236	SHEET	1
PRODUCT:	CALIFORNIA PLANTER (QR-CAL6236P)	SCALE:	1/2" = 1'	DRAWN BY:	R.M.	OF	1
PROJECT NAME:							