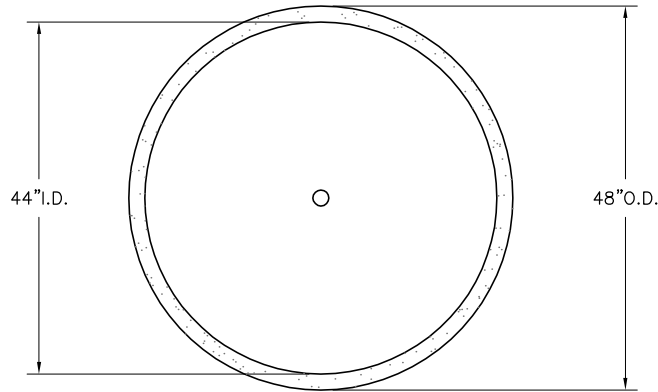


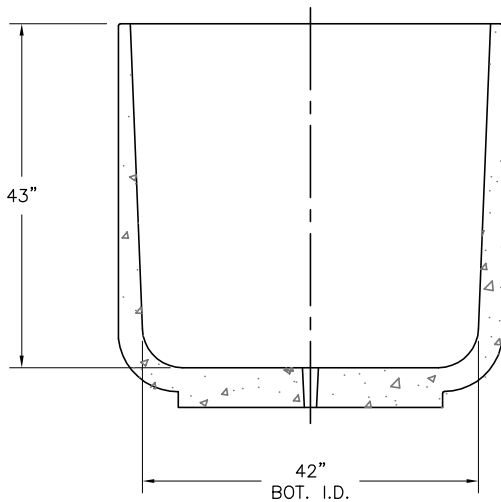
- \* INSTALLATION IS REQUIRED BY OTHERS.
- \* ALL EDGES TO HAVE 1/4" RADIUS MIN.
- \* MANUFACTURING TOLERANCE  $\pm 1/4"$ .
- \* PRODUCT: QR-CA4848P
- \* QUANTITY: \_\_\_\_\_
- \* CONCRETE COLOR: \_\_\_\_\_
- \* CONCRETE TEXTURE: \_\_\_\_\_
- \* SEALER: STANDARD GLOSS SEALER
- \* STD. 2"DIA. DRAIN HOLE
- \* STD. COLOR & TEXTURE OPTIONS

- \* APPROX. WT. 1,782 LBS.
- \* APPROX. WT. 637 LBS.

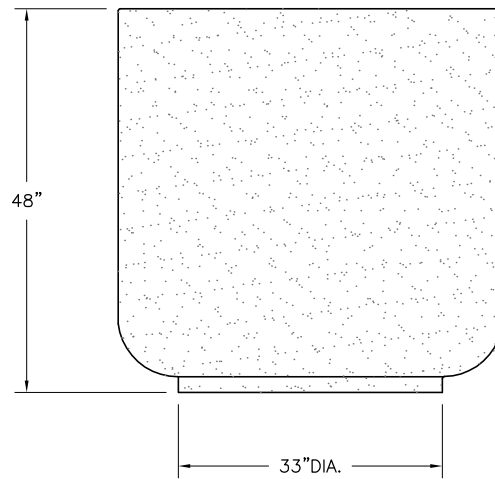
Authorized Signature \_\_\_\_\_ Date \_\_\_\_\_  
 By signing above or stamping this drawing "approved" or  
 "no exception taken" authorization is given to Quick Crete  
 to produce this drawing as shown within a 1/4" tolerance.



PLAN VIEW



SECTION VIEW



ELEVATION VIEW



**QUICK CRETE**  
**PRODUCTS CORP.**  
**731 PARKRIDGE AVE.**  
**P.O. BOX 639**  
**NORCO, CA 92860**  
**(951) 737-6240 FAX (951) 737-703**  
**WWW.QUICKCRETE.COM**

PLAN TYPE:	CONSTRUCTION PLAN
PRODUCT:	CALIFORNIA PLANTER (QR-CA4848P)
PROJECT NAME:	

DATE:	7/30/98	FILE NO.	CA4848
SCALE:	1/2" = 1'	DRAWN BY:	R.M.

SHEET	1
OF	1