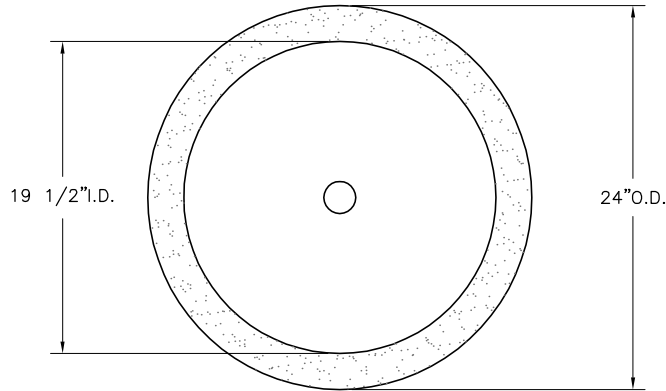


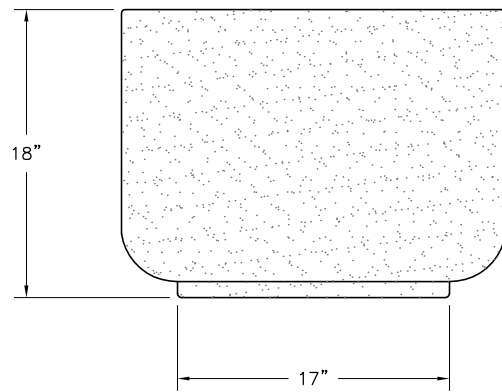
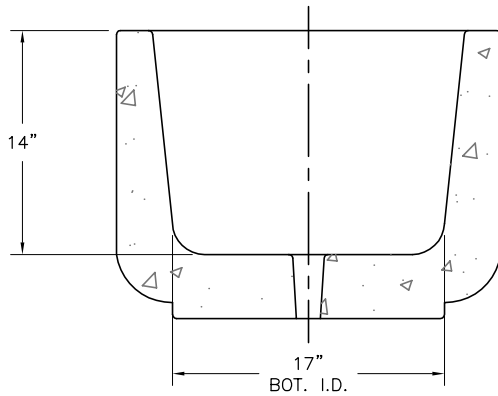
- \* INSTALLATION IS REQUIRED BY OTHERS.
- \* ALL EDGES TO HAVE 1/4" RADIUS MIN.
- \* MANUFACTURING TOLERANCE  $\pm 1/4"$ .
- \* PRODUCT: QR-CAL2418P
- \* QUANTITY: \_\_\_\_\_
- \* CONCRETE COLOR: \_\_\_\_\_
- \* CONCRETE TEXTURE: \_\_\_\_\_
- \* SEALER: STANDARD GLOSS SEALER
- \* STD. 2" DRAIN HOLE
- \* STD. COLOR & TEXTURE OPTIONS.

- \* APPROX. WT: 362 lbs.
- \* APPROX. WT: 145 lbs. (LC)

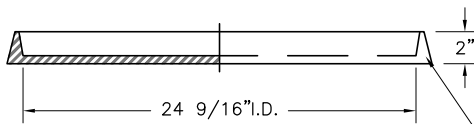
Authorized Signature \_\_\_\_\_ Date \_\_\_\_\_  
 By signing above or stamping this drawing "approved" or "no exception taken" authorization is given to Quick Crete to produce this drawing as shown within a 1/4" tolerance.



PLAN VIEW



ELEVATION VIEW



SECTION VIEW

24 9/16" I.D. STYLE "A" SAUCER  
 (QR-24A-S)  
 QTY: \_\_\_\_\_  
 COLOR: \_\_\_\_\_  
 TEXTURE: \_\_\_\_\_  
 SEALER: \_\_\_\_\_

K:\PLANTERS\ROUND-P\California\Cal2418.dwg, 11/11/2005 10:52:54 AM, 1:12, MG, MG



**QUICK CRETE**  
 PRODUCTS CORP.  
 731 PARKRIDGE AVE.  
 P.O. BOX 639  
 NORCO, CA 92860  
 (951) 737-6240 FAX (951) 737-7032  
 WWW.QUICKCRETE.COM

PLAN TYPE:  
 PRODUCT:  
 PROJECT NAME:

CONSTRUCTION PLAN  
 CALIFORNIA PLANTER (QR-CAL2418P)

DATE: 6/5/97  
 SCALE: 1" = 1'

FILE NO. CA2418  
 DRAWN BY: J.S.

SHEET 1 OF 1