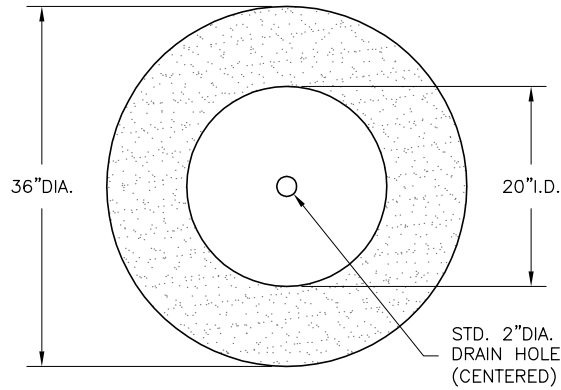


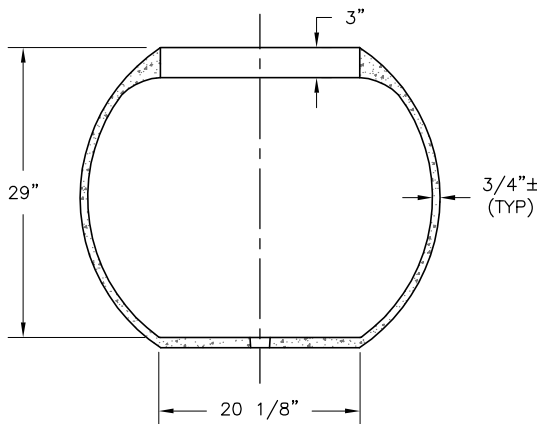
- * INSTALLATION IS REQUIRED BY OTHERS.
- * ALL EDGES TO HAVE 1/4" RADIUS MIN.
- * MANUFACTURING TOLERANCE $\pm 1/4"$.
- * PRODUCT: QR-CUE3630P
- * QUANTITY: _____
- * CONCRETE COLOR: _____
- * CONCRETE TEXTURE: _____
- * SEALER: STD. GLOSS SEALER
- * STD. 2"DIA. DRAIN HOLE
- * INCLUDE INTERIOR WATER SEALANT
- * LITE CRETE ONLY
- * STD. COLOR OPTIONS
- * TEXTURE AVAILABLE IN T1-SMOOTH OR
T9-SANDSTONE ONLY

APROX. WT. 260 LBS.
(CUSTOMER TO OFFLOAD IF OVER 8000 Lbs.)

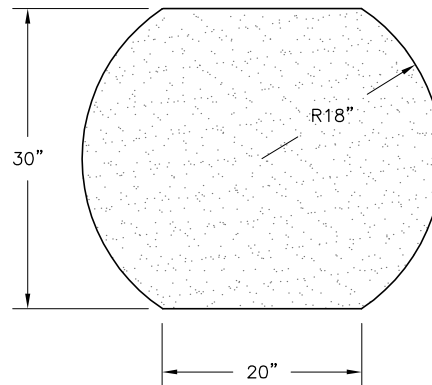
Authorized Signature _____ Date _____
By signing above or stamping this drawing "approved" or "no exception taken" authorization is given to Quick Crete to produce this drawing as shown within a 1/4" tolerance.



PLAN VIEW

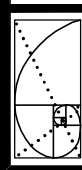


SECTION VIEW



ELEVATION VIEW

K:\PLANTERS\ROUND\QC\CUE\CUE3630P.dwg, 8/6/2008 8:20:41 AM



QUICK CRETE
PRODUCTS CORP.
731 PARKRIDGE AVE.
P.O. Box 6399
NORCO, CA 92860
(951) 737-6240 FAX (951) 737-7032
WWW.QUICKCRETE.COM

PLAN TYPE:	CONSTRUCTION PLAN
PRODUCT:	CUE STYLE PLANTER (QR-CUE3630P)
PROJECT NAME:	

DATE:	06/29/07	FILE NO.:	QRCUE3630P
SCALE:	5/8" = 1'	DRAWN BY:	R.M.

SHEET	1
OF	1