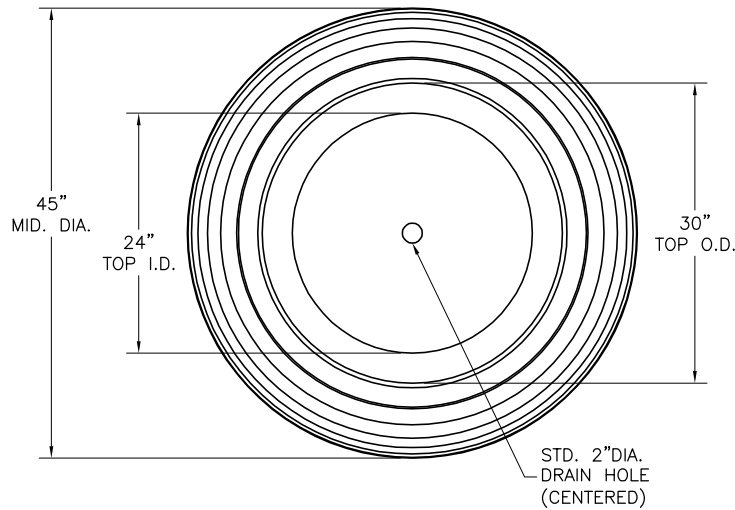


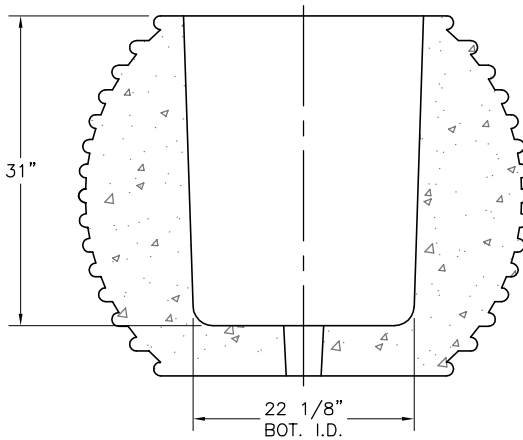
- \* INSTALLATION IS REQUIRED BY OTHERS.
- \* ALL EDGES TO HAVE 1/4" RADIUS MIN.
- \* MANUFACTURING TOLERANCE  $\pm 1/4"$ .
- \* PRODUCT: QR-BT4536P
- \* QUANTITY:
- \* CONCRETE COLOR:
- \* CONCRETE TEXTURE:
- \* SEALER: STANDARD GLOSS SEALER
- \* STD. 2"DIA DRAIN HOLE
- \* INCLUDE INTERIOR WATER SEALANT
- \* STD. COLOR AND TEXTURE OPTIONS

APROX. WT. 2,653 Lbs.  
 (CUSTOMER TO OFFLOAD IF OVER 8000 Lbs.)

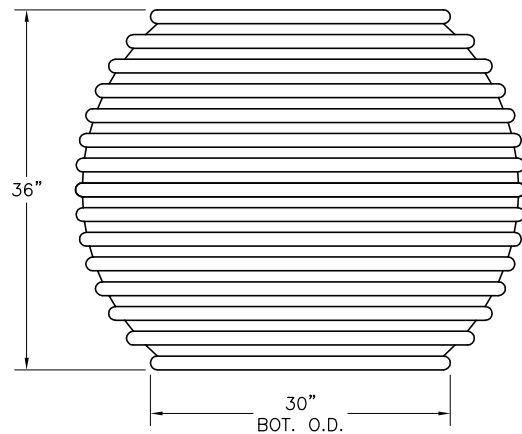
Authorized Signature                      Date  
 By signing above or stamping this drawing "approved" or  
 "no exception taken" authorization is given to Quick Crete  
 to produce this drawing as shown within a 1/4" tolerance.



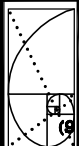
PLAN VIEW



SECTION VIEW



ELEVATION VIEW



**QUICK CRETE**  
 PRODUCTS CORP.  
 731 PARKRIDGE AVE.  
 P.O. Box 639  
 NORCO, CA 92860  
 (951) 737-6240 FAX (951) 737-7032  
 WWW.QUICKCRETE.COM

PLAN TYPE:  
 PRODUCT:  
 PROJECT NAME:

CONSTRUCTION PLAN  
 BURST STYLE PLANTER (QR-BT4536P)

DATE:  
 06/15/07  
 SCALE:  
 5/8" = 1'

FILE NO.  
 QRBH4536P  
 DRAWN BY:  
 S.R.

SHEET  
 1  
 OF  
 1