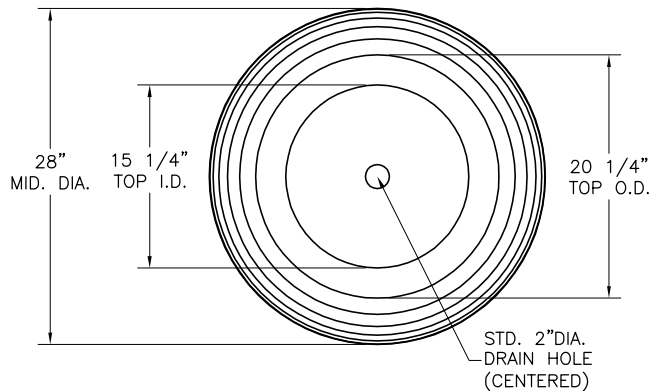


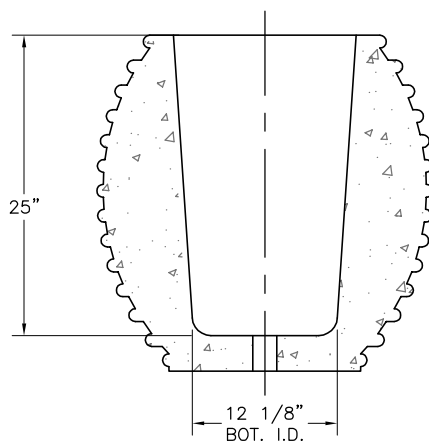
- \* INSTALLATION IS REQUIRED BY OTHERS.
- \* ALL EDGES TO HAVE 1/4" RADIUS MIN.
- \* MANUFACTURING TOLERANCE  $\pm 1/4"$ .
- \* PRODUCT: QR-BT2828P
- \* QUANTITY:
- \* CONCRETE COLOR:
- \* CONCRETE TEXTURE:
- \* SEALER: STANDARD GLOSS SEALER
- \* STD. 2"DIA DRAIN HOLE
- \* INCLUDE INTERIOR WATER SEALANT
- \* STD. COLOR AND TEXTURE OPTIONS

APROX. WT. 804 Lbs.  
 (CUSTOMER TO OFFLOAD IF OVER 8000 Lbs.)

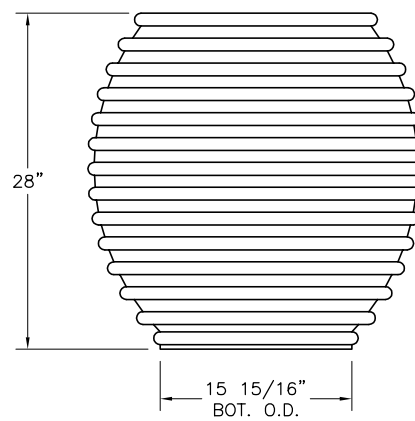
Authorized Signature      Date  
 By signing above or stamping this drawing "approved" or  
 "no exception taken" authorization is given to Quick Crete  
 to produce this drawing as shown within a 1/4" tolerance.



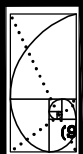
PLAN VIEW



SECTION VIEW



ELEVATION VIEW



**QUICK CRETE**  
 PRODUCTS CORP.  
 731 PARKRIDGE AVE.  
 P.O. Box 639  
 NORCO, CA 92860  
 (951) 737-6240 FAX (951) 737-7032  
 WWW.QUICKCRETE.COM

PLAN TYPE:	CONSTRUCTION PLAN
PRODUCT:	BURST STYLE PLANTER (QR-BT2828P)
PROJECT NAME:	

DATE:	06/15/07	FILE NO.:	QRBT2828P
SCALE:	3/4" = 1'	DRAWN BY:	S.R.

SHEET	1
OF	1