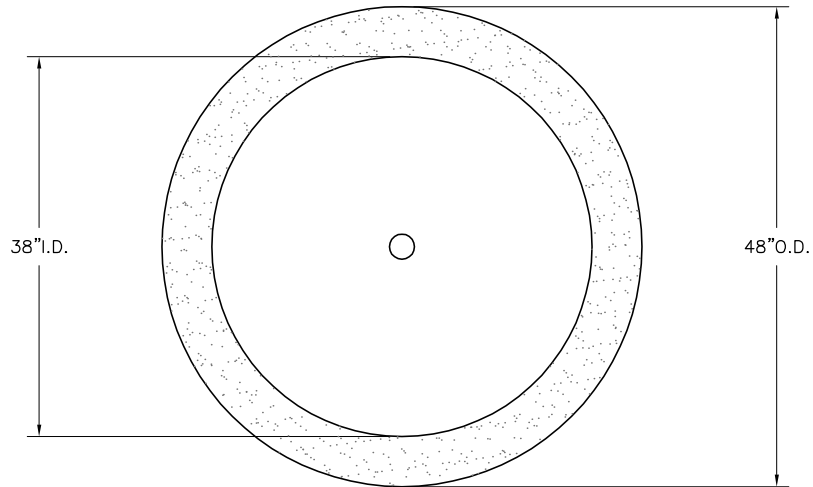


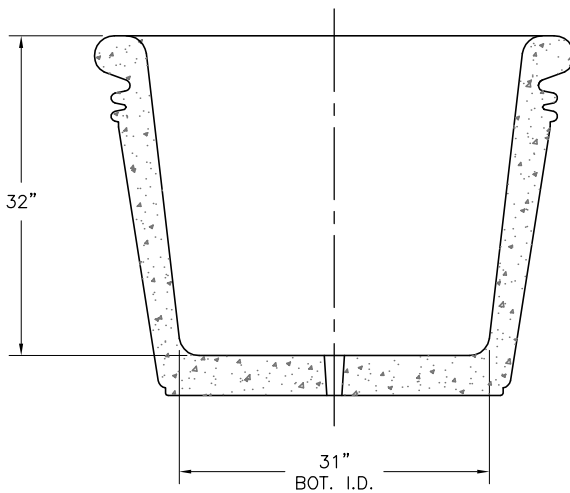
- * INSTALLATION IS REQUIRED BY OTHERS.
- * ALL EDGES TO HAVE 1/4" RADIUS MIN.
- * MANUFACTURING TOLERANCE $\pm 1/4"$.
- * PRODUCT: QR-BJ4836P
- * QUANTITY: 2
- * CONCRETE COLOR: C7-TERRACOTTA
- * CONCRETE TEXTURE: T1-SMOOTH
- * SEALER: STANDARD GLOSS SEALER
- * STD. 2"DIA. DRAIN HOLE
- * FINISH: F1-STONEWASH
- * INCLUDES INTERIOR WATER SEALANT

- * APPROX. WT. 1,458 LBS.
- * APPROX. WT. 490 LBS. (LC)

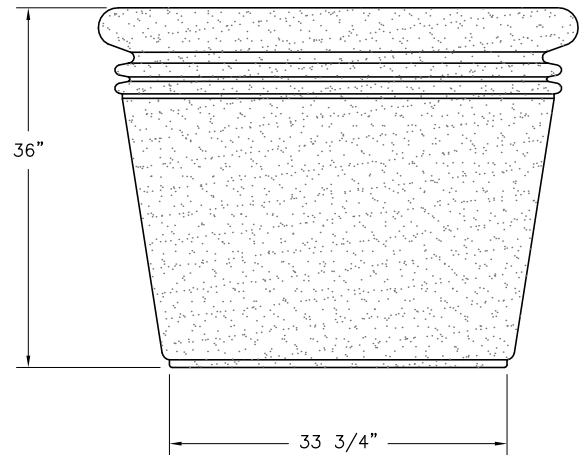
Authorized Signature _____ Date _____
 By signing above or stamping this drawing "approved" or
 "no exception taken" authorization is given to Quick Crete
 to produce this drawing as shown within a 1/4" tolerance.



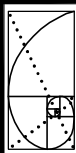
PLAN VIEW



SECTION VIEW



ELEVATION VIEW



QUICK CRETE
 PRODUCTS CORP.
 731 PARKRIDGE AVE.
 P.O. BOX 639
 NORCO, CA 92860
 (951) 737-6240 FAX (951) 737-7032
 WWW.QUICKCRETE.COM

PLAN TYPE:
 PRODUCT:
 PROJECT NAME:

CONSTRUCTION PLAN
 BAJA PLANTER (QR-BJ4836P)

DATE:
 04/15/02
 SCALE:
 5/8" = 1'

FILE NO.
 Q1227-2
 DRAWN BY:
 R.M.

SHEET
 1
 OF
 1