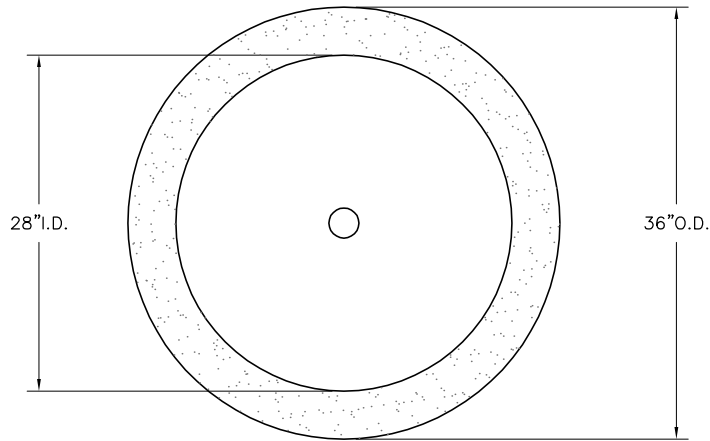


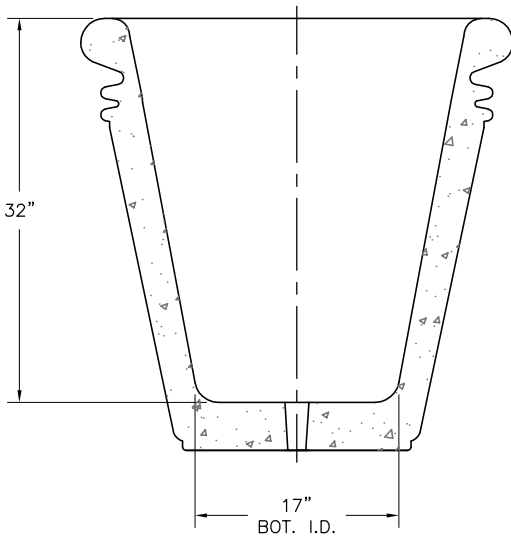
- \* INSTALLATION IS REQUIRED BY OTHERS.
- \* ALL EDGES TO HAVE 1/4" RADIUS MIN.
- \* MANUFACTURING TOLERANCE  $\pm 1/4"$ .
- \* PRODUCT: QR-BJ3636P
- \* QUANTITY: \_\_\_\_\_
- \* CONCRETE COLOR: \_\_\_\_\_
- \* CONCRETE TEXTURE: \_\_\_\_\_
- \* SEALER: STANDARD GLOSS SEALER
- \* STD. COLOR & TEXTURE OPTIONS
- \* STD. 2"DIA. DRAIN HOLE
- \* INCLUDE INTERIOR WATER SEALANT

- \* APPROX. WT. 770 LBS.
- \* APPROX. WT. 362 LBS. (LC)

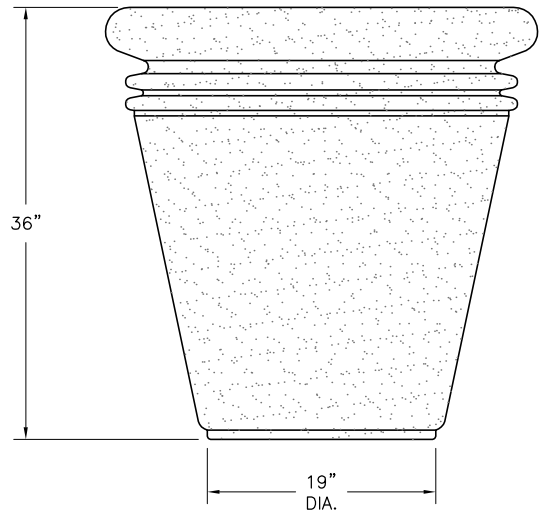
Authorized Signature \_\_\_\_\_ Date \_\_\_\_\_  
 By signing above or stamping this drawing "approved" or  
 "no exception taken" authorization is given to Quick Crete  
 to produce this drawing as shown within a 1/4" tolerance.



PLAN VIEW

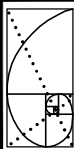


SECTION VIEW



ELEVATION VIEW

K:\PLANTERS\ROUND-P\Baja\BJ3636.DWG, 11/11/2005 9:18:50 AM, 1:16, MCG, MCG



**QUICK CRETE**  
**PRODUCTS CORP.**  
**731 PARKRIDGE AVE.**  
**P.O. BOX 639**  
**NORCO, CA 92860**  
**(951) 737-6240 FAX (951) 737-7032**  
**WWW.QUICKCRETE.COM**

PLAN TYPE:  
 PRODUCT:  
 PROJECT NAME:

CONSTRUCTION PLAN  
 BAJA PLANTER (QR-BJ3636P)

DATE:  
 6/16/99  
 SCALE:  
 3/4" = 1'

FILE NO.  
 BJ3636  
 DRAWN BY:  
 MVR

SHEET  
 1  
 OF  
 1