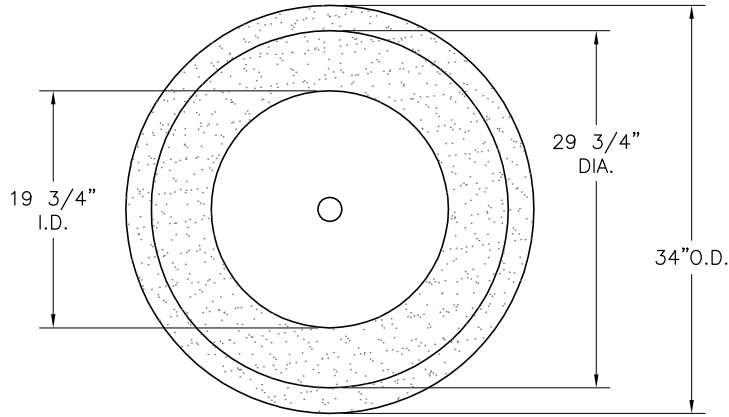


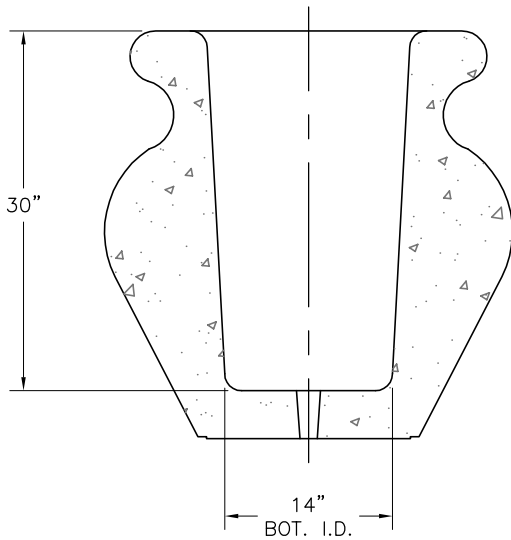
- * INSTALLATION IS REQUIRED BY OTHERS.
- * ALL EDGES TO HAVE 1/4" RADIUS MIN.
- * MANUFACTURING TOLERANCE $\pm 1/4"$.
- * PRODUCT: QR-AZ3434P
- * QUANTITY: _____
- * CONCRETE COLOR: _____
- * CONCRETE TEXTURE: _____
- * SEALER: STANDARD GLOSS SEALER
- * STD. 2" DIA. DRAIN HOLE
- * STD. COLOR & TEXTURE OPTIONS

- * APPROX. WT. 1,330 LBS.
- * APPROX. WT. 312 LBS. (LC)

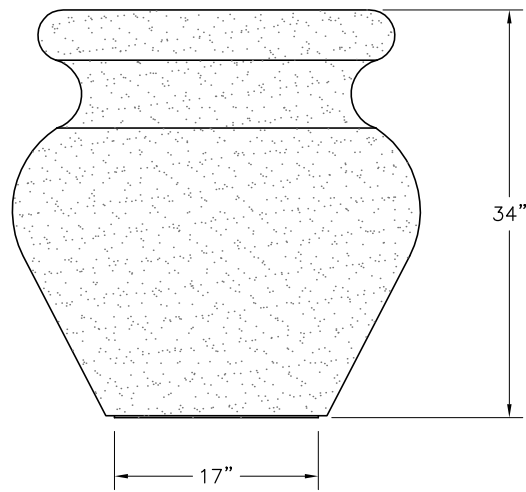
Authorized Signature _____ Date _____
 By signing above or stamping this drawing "approved" or
 "no exception taken" authorization is given to Quick Crete
 to produce this drawing as shown within a 1/4" tolerance.



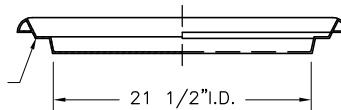
PLAN VIEW



SECTION VIEW

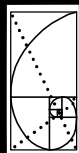


21 1/2" I.D. ROUND
 STYLE "B" SAUCER
 (QR-21B-S)
 COLOR:
 TEXTURE:
 STD. GLOSS SEALER



ELEVATION VIEW

K:\PLANTERS\ROUND-P\Alcazar\Az3434p.dwg, 11/10/2005 2:54:27 PM, 1:16, MGS, MGS



QUICK CRETE
 PRODUCTS CORP.
 731 PARKRIDGE AVE.
 P.O. BOX 639
 NORCO, CA 92860
 (951) 737-6240 FAX (951) 737-7032
 WWW.QUICKCRETE.COM

PLAN TYPE:
 PRODUCT:
 PROJECT NAME:

CONSTRUCTION PLAN
 ALCAZAR PLANTER (QR-AZ3434P)

DATE: 5/25/00
 SCALE: 16" = 1'

FILE NO. Az3434P
 DRAWN BY: J.U.

SHEET 1 OF 1